



RRT-525FLOPPY-MULTI-R-CFAST 5.25" Multi-Floppy CFast Drive (SSD)

5.25" FLOPPY CFAST DRIVE (SSD) is a long-term industrial-grade solution for replacement of obsolete 5.25" floppy drives from Teac, Sony, Panasonic, and Honeywell.

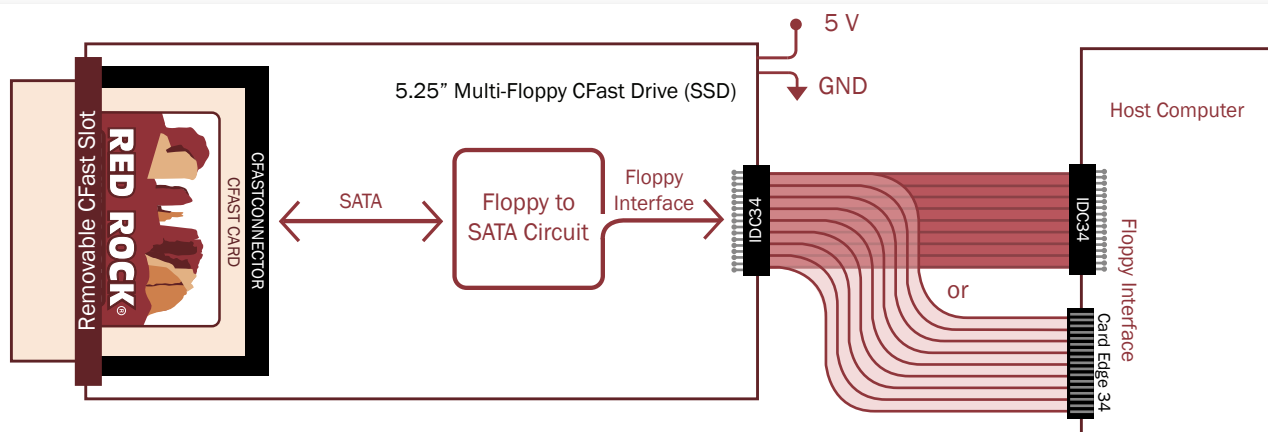
Our unique product is designed for 5.25" form factor and replaces floppy media with CFast card. To the system, the CFast appears as a normal 5.25" floppy disk. This version allows for up to 999 floppies on a single CFast card, using a knob for floppy selection.

- Drop in replacement for obsolete 5.25" floppy drives
- FM, MFM encoding
- Transfer rates from 125 kb/s to 500 kb/s
- Capacities selectable for 360KB, 640KB, 720KB per floppy (up to 999 floppy disks per CFast)
- Commercial temperature range (0°C to 70°C)
- Extended temperature range (-40°C to 85°C)
- Conformal coating available
- Standard 34-pin connector
- RoHS Compliant
- US-based engineering and manufacturing
- In-house technical support



TRANSFER CAPABILITIES

Convert clunky, outdated floppy disks into versatile, compact CFast cards.



Ordering Information

Multi-Floppy Drive

RRT-525FLOPPY-MULTI-CFAST- **UR** - **X**

Options May be left blank

Conformal Coating
 UR Polyurethane
 AR Acrylic

Extended Temperature Range
 X -40°C to 85°C

ORDER EXAMPLES

RRT-525FLOPPY-MULTI-R-CFAST
 RRT-525FLOPPY-MULTI-R-CFAST-UR-X

CFast Card

RRT-CFAST- **SLC** - **8GB** - **X** - **WP**

Requirements

Capacity
 OGB-8GB SLC
 OGB-8GB MLC

NAND Flash Type
 SLC Single Level Cell
 MLC Multi Level Cell

Options May be left blank

Write Protect
 WP Write Protect

Extended Temperature Range
 X -40°C to 85°C

ORDER EXAMPLES

RRT-CFAST-MLC-8GB
 RRT-CFAST-SLC-8GB-X-W

Cable

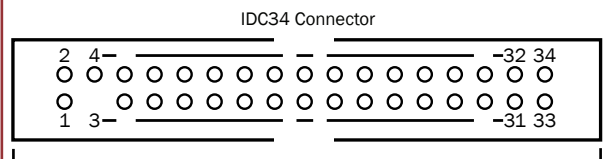
RRT-CBL-FLOPPY-IDC34- **CardEdge34** - **18"**

Requirements

Host Connection
 CardEdge34
 IDC34

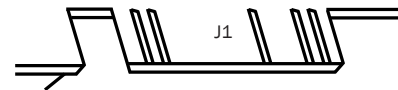
Cable Length in Inches or Meters
 18"

Host Connector



48.4 mm (1.91 in.)

CardEdge34 Connector



ORDER EXAMPLES

RRT-CBL-FLOPPY-IDC34-CardEdge34-18"
 RRT-CBL-FLOPPY-IDC34- IDC34-18"



Parhelia B.V.
www.parheliabv.com
 ☎ +31(0)10 741 00 28

Product Specifications

5.25" MULTI-FLOPPY CFAST DRIVE (SSD)

PERFORMANCE				
NAND FLASH TYPE	TLC	MLC	MLC-X	SLC
CAPACITIES	Selectable for 360KB, 640KB, 720KB, 1.25MB per floppy (up to 999 floppy disks per CFast)			
INTERFACE	Standard floppy 34-pin connector			
SECTOR SIZE	256 or 512 bytes			
RELIABILITY				
MTBF (HOURS) ¹	1 million hours	2 million hours		3 million hours
ENDURANCE (100 GB SSD)	70 TBW			350 TBW
DATA RETENTION	1 year ²			10 years ³
POWER				
VOLTAGE	+5V +/- 5%			
WATTS (IDLE)	0.5 W			
WATTS (ACTIVE)	2.5 W max			
ENVIRONMENTAL				
OPERATING TEMP.	0°C to 60°C	0°C to 70°C	See MLC	0°C to 70°C
EXTENDED OPERATING TEMP.	Not available	See MLC-X	-40°C to 85°C	
STORAGE TEMP.	-40°C to 85°C			
ALTITUDE	10,000 ft. (3,000 meters)		80,000 ft. (24,000 meters)	
RELATIVE HUMIDITY	5% to 95% non-condensing			
SHOCK	350g 2 milliseconds		50g 11 milliseconds	
VIBRATION	1g 5Hz to 500 Hz		12g 20 Hz to 2000 Hz	
PHYSICAL				
FORM FACTOR	5.25" drive			
WEIGHT	15 oz. max (420g)			
DIMENSIONS	5.75" x 8.00" x 1.625" (146.05mm x 203.2mm x 41.275mm)			
NOTES				
(1) Telcordia SR-332, Issue 3, operating temp. (40°C), electrical stress (50%), environmental factor (1.0)				
(2) SLC: 10 years at 10% TBW ramping down to 1 year at 100% TBW				
(3) MLC: 10 years at 0% TBW ramping down to 1 year at 100% TBW				



Parhelia B.V.
www.parheliabv.com
 ☎ +31(0)10 741 00 28



Red Rock Technologies, Inc. reserves the right to modify, change or discontinue specific products within its product line at its own discretion. Red Rock Technologies, Inc. does not assume any liability resulting from the application or use of its products. The information contained herein has been checked and is believed to be entirely accurate; however, no responsibility is assumed for inaccuracies. "Red Rock Technologies" and the mountain logo are registered trademarks of Red Rock Technologies, Inc.

© Copyright 2023 Red Rock Technologies, Inc.
 All rights reserved. (Rev. 20230106a)