

M50B

Small-size High-performance Fanless Embedded System

M50B is a small-size, high-performance, fanless embedded product, with onboard sixth Gen Intel® Core™ i7/i5/i3 U-series processors, onboard J1900 processor+BayTrail platform chip technology solution, and onboard Intel® Celeron™ J6412/Intel® Atom™ X6425E processors, supporting operating systems such as WIN7 (64bit), WIN10, and LINUX. The complete PC has a simple structure, small size, fanless design, and excellent sealing, dust-proof, heat dissipation, and anti-vibration performance. The product is mainly used in various embedded intelligent fields such as mechanical inspection equipment, industrial automation control, and robot controller.



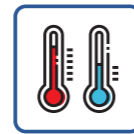
Product Features



Fully-sealed and fanless design



Low power and high performance

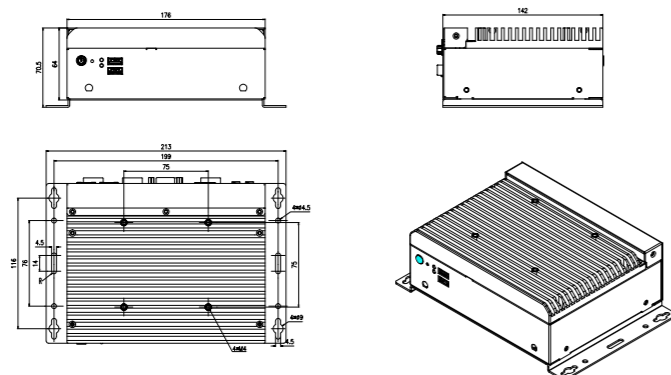


Wide-temperature operation



Multiple ports and expansibility

Product Dimensions Drawing



Please refer to the user manual to check detailed specifications and dimension. (Unit: MM)

Product Specifications

Item	Description	
System Configuration	Processor	M50B-E: Intel® Celeron J1900 2.0Ghz quad-core, Intel® Celeron™ J6412/ Intel® Atom™ X6425E processors, onboard processors which are non-replaceable M50B-H: supports Intel® I3-6100U/I5-6300U/I7-6600U processors, onboard processors which are non-replaceable
	Chipset	M50B-E: Intel® BayTrail, Elkhart lake; M50B-H: Intel® SkyLake-U
	Memory	BayTrail: supports 1 x SO-DIMM slot; Standard configuration 4GB, the slot supporting up to 8GB, and the PC memory supporting up to 8GB Elkhart lake: supports 1 x 260 Pin DDR4 SO-DIMM slot, the slot supporting up to 32GB, and the PC memory supporting up to 32GB; SkyLake-U: supports 1 x SO-DIMM slot; Onboard 4GB, the slot supporting up to 16GB, and the PC memory supporting up to 20GB
I/O Ports	LAN Port	2 x RJ45 10/100/1000Mbps LAN port, expandable up to four LAN ports, LAN1 supporting Wake-on-LAN
	Display	Provides 1 x VGA, 1 x HDMI display, supporting dual-display;
	USB	BayTrail: supports up to 1 x USB3.0 + 5 x USB2.0 port; Elkhart lake: standard configuration 1 x USB3.0 + 3 x USB2.0 port, supporting up to 1 x USB3.0 + 5 x USB2.0 port; SkyLake-U: supports up to 2 x USB3.0 + 4 x USB2.0 port
	COM	2~4 x COM port, COM1~COM4, RS232/485/422 optional
Expansion Bus	Motherboard Integration	1 group of Audio ports (supports MIC-IN and LINE-OUT)
		BayTrail/ SkyLake-U: 1 x M.2 key E slot (realizes WIFI function); 1 x M-SATA slot (supports 4G or storage function cannot coexist for use) Elkhart lake: 1 x M.2 key B slot (realizes 5G function or storage function); 1 x Mini-PCIE slot (realizes 4G or WiFi function); 1 x M.2 key M or PCIe4 (X2 resource) horizontal type (supports M.2 key M function by default)
Storage	Hard disk	1 x SATA interface; (optional 2.5" HDD or SSD)
	M-SATA/M.2	BayTrail/ SkyLake-U: supports 1 x M-SATA slot Elkhart lake: supports 1 x M.2 KEY M and 1 x M.2 KEY B slot;
Working Environment		0°C~+45°C (HDD); -10°C~+60°C (wide-temperature SSD/electronic hard disk) Note: The air flow rate in the working environment of the PC must be greater than 0.5m/s.
Storage Environment		-40°C~+85°C; humidity: 5%~95% (non-condensing)
Mounting Methods		Wall mount, desktop, and VESA standard arm
Product Dimensions		176mm (W) × 142mm (D) × 64mm (H) (excluding mounting bracket)
Power Supply		1 x 4Pin phoenix terminal power connector; External AC 220V power adapter power supply or DC 9-30V wide-voltage input (optional); The PC is configured with single voltage DC output by default: SkyLake-U: DC 19V single power supply; BayTrail/ Elkhart lake: DC 12V single power supply
Operating Systems		BayTrail/ SkyLake-U: supports WIN7(64bit), WIN10, LINUX(2.6 kernel) and other operating systems; Elkhart lake: WIN10, Cent OS, Linux, Ubuntu, and other high kernel version LINUX systems;

Ordering Information

Part No.	Model	Specifications
0010-165661	M50B-E-01	Micro fanless PC/ Intel® BayTrail chipset/ Celeron J1900 2.0Ghz quad-core processor/4GB memory/128G SSD/COM port*4/ USB2.0*3+USB3.0*1/Gigabit LAN port*2/VGA*1/HDMI*1/Line-out*1/MIC*1/12V DC power supply/12V power adapter*1
0020-066531	M50B-E-01	Micro fanless barebone system/ Intel® BayTrail chipset/ Celeron J1900 2.0Ghz quad-core processor/ no memory/ no hard disk/ COM port*4/ USB2.0*5+USB3.0*1/Gigabit LAN port*2/VGA*1/HDMI*1/Line-out*1/MIC*1/12V DC power supply/ no power adapter
0010-165671	M50B-E-02	Micro fanless PC/ Intel® BayTrail chipset/ Celeron J1900 2.0Ghz quad-core processor/4GB memory/128G SSD/COM port*2/ USB2.0*5+ USB3.0*1/Gigabit LAN port*4/VGA*1/HDMI*1/Line-out*1/MIC*1/12V DC power supply/12V power adapter*1
0020-066541	M50B-E-02	Micro fanless barebone system/ Intel® BayTrail chipset/ Celeron J1900 2.0Ghz quad-core processor/ no memory/ no hard disk/ COM port*2/ USB2.0*5+USB3.0*1/Gigabit LAN port*4/VGA port*1/HDMI*1/Line-out*1/MIC*1/12V DC power supply/ no power adapter
0010-177931	M50B-E-11	Micro fanless PC/ Intel Celeron J6412 2.0 GHz quad-core processor/4GB memory/128G SSD/COM port*4/ USB2.0*3+USB3.0*1/Gigabit LAN port*2/VGA*1/HDMI*1/Line-out*1/MIC*1/12V DC power supply/power adapter*1
0010-177941	M50B-E-12	Micro fanless PC/ Intel Atom X6425E 2.0 GHz quad-core processor/4GB memory/128G SSD/COM port*4/ USB2.0*3+USB3.0*1/Gigabit LAN port*2/VGA*1/ HDMI*1/Line-out*1/MIC*1/12V DC power supply/power adapter*1
0010-165681	M50B-H-01	Micro fanless PC/ Intel® Skylake SOC chipset/ I3-6100U 2.3Ghz dual-core processor/4GB memory/128G SSD/COM port*4/ USB2.0*2+USB3.0*2/Gigabit LAN port*2/VGA*1/HDMI*1/Line-out*1/MIC*1/19V DC power supply/19V power adapter*1
0020-066551	M50B-H-01	Micro fanless barebone system/ Intel® Skylake SOC chipset/ I3-6100U 2.3Ghz dual-core processor/ no memory/ no hard disk/ COM port*4/ USB2.0*2+USB3.0*2/Gigabit LAN port*2/VGA*1/HDMI*1/Line-out*1/MIC*1/19V DC power supply/ no power adapter
0010-165691	M50B-H-02	Micro fanless PC/ Intel® Skylake SOC chipset/ I5-6300U 2.4Ghz dual-core processor/4GB memory/128G SSD/COM port*4/ USB2.0*2+USB3.0*2/Gigabit LAN port*2/VGA*1/ HDMI*1/Line-out*1/MIC*1/19V DC power supply/19V power adapter*1
0020-066561	M50B-H-02	Micro fanless barebone system/ Intel® Skylake SOC chipset/ I5-6300U 2.4Ghz dual-core processor/ no memory/ no hard disk/ COM port*4/ USB2.0*2+USB3.0*2/Gigabit LAN port*2/VGA*1/HDMI*1/Line-out*1/MIC*1/19V DC power supply/ no power adapter
0010-165731	M50B-H-03	Micro fanless PC/ Intel® Skylake SOC chipset/ I7-6600U 2.6Ghz dual-core processor/4GB memory/128G SSD/COM port*2/ USB2.0*4+USB3.0*2/Gigabit LAN port*4/VGA*1/HDMI*1/Line-out*1/MIC*1/19V DC power supply/19V power adapter*1
0020-066571	M50B-H-03	Micro fanless barebone system/ Intel® Skylake SOC chipset/ I7-6600U 2.6Ghz dual-core processor/ no memory/ no hard disk/ COM port*2/ USB2.0*4+USB3.0*2/Gigabit LAN port*4/VGA*1/HDMI*1/Line-out*1/MIC*1/19V DC power supply/ no power adapter

Note: The final interpretation rights for product specifications, ordering information, etc. belong to EVOC Intelligent Technology Co., Ltd.