

# IPC-810E

## 4U Standard Rack Mount chassis

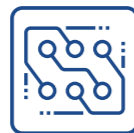
IPC-810E is a 4U rack mount chassis made of high-quality steel sheet. It supports various full-length cards and industrial motherboards of the company, such as EPE, EC9 and EC0 series. It has a reasonable structure, and can be equipped with one 5.25" CD-ROM and two 3.5" shock absorption hard disk bay. The product can be widely used in various fields such as communication, network, finance, power, transportation and industrial automation.



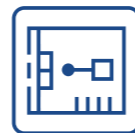
### Product Features



4U standard rack mount

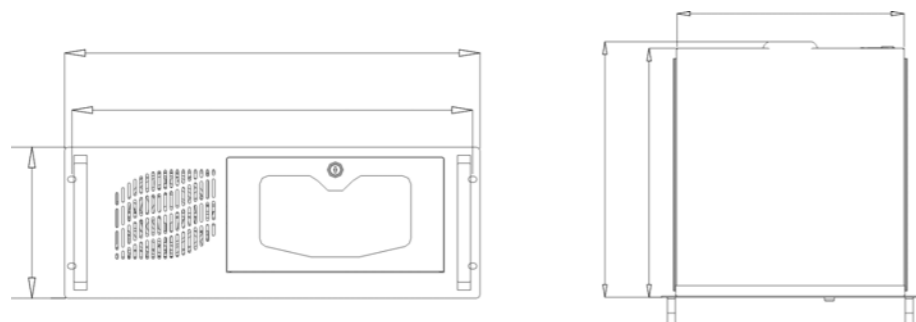


Supports multiple motherboards



Super EMC performance

### Product Dimensions Drawing



Please refer to the user manual to check detailed specifications and dimension. (Unit: MM)

### Product Specifications

| Item                | Description   |
|---------------------|---|
| Motherboard         | PICMG 1.0, PICMG 1.3, EPI 2.0 and EPE standard full-size boards, ATX motherboard  |
| Backplane           | 10-slot standard PICMG 1.0 backplane, 14-slot standard PICMG 1.0 backplane, 10-slot standard PICMG 1.3 backplane, 13-slot standard EPI 2.0 backplane and 10-slot EPE backplane. |
| Storage             | 1 x 5.25" CD-ROM bay, 2 x 3.5" hard disk shock-absorption bay   |
| I/O Ports           | Power switch, reset switch, power supply and hard disk indicators; 2 x USB port at front  |
| Power Supply        | Standard ATX power supply   |
| Working Temperature | 0°C~50°C, 5%~90%(non-condensing)  |
| Storage Temperature | -20°C~60°C, 5%~90%(non-condensing)  |
| Dimensions (W×H×D)  | 482 mm × 177 mm × 470.4 mm  |

### Ordering Information

| Part No.    | Model   | Description   |
|-------------|---|---|
| 0020-063911 | IPC-810/ECO-1816/250W   | H61 platform motherboard/250W power supply/VGA+DVI-D, 2 x Gigabit LAN port, 6 x USB(2 at front, 4 at rear), 2 x COM, 1 group of audio ports, 1 x PS2, expansion:4 x PCI, 1 x PCIEX4, 1 x PCIEX16<br>Note:because PCIE X4 slot and LAN2 share a same resource, when PCIE X4 card is inserted, LAN2 does not function.  |
| 0010-140561 | IPC-810E/ECO-1816/G1620/2G/1T/250W                                | H61 platform motherboard/G1620/2G memory/1T HDD/250W power supply/VGA+DVI-D, 2 x Gigabit LAN port, 6 x USB(2 at front, 4 at rear), 6 x COM port, 1 group of audio ports, 1 x PS2, 1 x LPT; expansion:4 x PCI, 1 x PCIEX4, 1 x PCIEX16<br>Note:because PCIE X4 slot and LAN2 share a same resource, when PCIE X4 card is inserted, LAN2 does not function.   |
| 0020-061221 | IPC-810/ECO-1816/no CPU/2G/1T/250W                                | H61 platform motherboard/2G memory/1T HDD/250W power supply/VGA+DVI-D, 2 x Gigabit LAN port, 6 x USB(2 at front, 4 at rear), 6 x COM port, 1 group of audio ports, 1 x PS2, 1 x LPT; expansion:5 x PCI, 1 x PCI-E*1 (PCI-E*4 slot), 1 x PCI-E*16 expansion slot   |
| 0020-061731 | IPC-810/ECO-1817-6COM/250W  | H81 platform motherboard/250W memory/2 x COM, 2 x Gigabit LAN port, 6 x USB(2 at front, 4 at rear), VGA+DVI-D, 1 group of audio ports, 1 x PS2, 1 x LPT, expansion:4 x PCI, 2 x PCIEX1 (PCIEX4 slot), 1 x PCIEX16   |
| 0010-098891 | IPC-810E/ECO1817-6COM/G1820/2G/1T/250W                            | H81 platform motherboard/G1820/2G memory/1T HDD/250W power supply/6 x COM, 2 x Gigabit LAN port, 6 x USB(2 at front, 4 at rear), VGA+DVI-D, 1 group of audio ports, 1 x PS2, 1 x LPT, expansion:4 x PCI, 2 x PCIEX1 (PCIEX4 slot), 1 x PCIEX16  |
| 0020-063431 | IPC-810/ECO-1818(C)/250W power supply                             | H110 platform motherboard/250W power supply/2 x COM, 2 x Gigabit LAN port, 6 x USB(2 at front, 4 at rear), VGA+HDMI, 1 group of audio ports, 1 x PS2, 1 x LPT, expansion:4 x PCI, 1 x PCIEX4, 1 x PCIEX16   |
| 0010-127031 | IPC-810E/ECO-1818(C)/G3900/4G/1T/250W                             | H110 platform motherboard/G3900/2G memory/1T HDD/250W power supply/6 x COM, 2 x Gigabit LAN port, 6 x USB(2 at front, 4 at rear), VGA+HDMI, 1 group of audio ports, 1 x PS2, 1 x LPT, expansion:4 x PCI, 1 x PCIEX4, 1 x PCIEX16  |
| 0020-064471 | IPC-810/ECO-1820(B)/250W  | H310 platform motherboard/250W power supply/2 x COM, 2 x Gigabit LAN port, 6 x USB(2 at front, 4 at rear), any two display ports among four (VGA, HDMI, DVI-D, DP), 1 group of audio ports, 1 x PS2, expansion:5 x PCI, 1 x PCIEX4, 1 x PCIEX16   |
| 0020-065321 | IPC-810/ECO-1820(B)-NS/250W                                       | H310 platform motherboard/250W power supply/2 x COM, 2 x Gigabit LAN port, 6 x USB(2 at front, 4 at rear), any two display ports among four (VGA, HDMI, DVI-D, DP), no sound card, 1 x PS2, expansion:5 x PCI, 1 x PCIEX4, 1 x PCIEX16  |
| 0010-140681 | IPC-810E/ECO-1820(B)/G4900/4G/1TB/250W                            | H310 platform motherboard/G4900/4G memory/1T HDD/250W power supply/6 x COM, 2 x Gigabit LAN port, 6 x USB(2 at front, 4 at rear), any two display ports among four (VGA, HDMI, DVI-D, DP), 1 group of audio ports, 1 x PS2, expansion:5 x PCI, 1 x PCIEX4, 1 x PCIEX16  |
| 0020-064981 | IPC-810/ECO-1821/300W   | C246 platform motherboard/300W power supply/2 x COM/2 x Gigabit LAN port/8 x USB(2 at front, 6 at rear)/any three display ports among four (VGA, HDMI, DVI-D, DP), 1 group of audio ports; expansion:2 x PCI, 3 x PCIe x4, 2 x PCIe x16; 1 x M.2 KEY M port (PCIe X4, supporting sizes 2242/2260/2280/22110); 1 x M.2 KEY E port (PCIe X1, supporting size 2230)Note:When two PCIe*16 slots are inserted at same time, the speed of PCIe*8 will be reduced                          |
| 0010-151371 | IPC-810E/ECO-1821/I7-8700/8G/1T/300W                              | C246 platform motherboard/I7-8700/8G memory/1T HDD/300W power supply/6 x COM/2 x Gigabit LAN port/8 x USB(2 at front, 6 at rear)/any three display ports among four (VGA, HDMI, DVI-D, DP), 1 group of audio ports; expansion:2 x PCI, 3 x PCIe x4, 2 x PCIe x16; 1 x M.2 KEY M port (PCIe X4, supporting sizes 2242/2260/2280/22110); 1 x M.2 KEY E port (PCIe X1, supporting size 2230)Note:When two PCIe*16 slots are inserted at same time, the speed of PCIe*8 will be reduced |
| 0020-065581 | IPC-810/ECO-1822/300W/barebone system                             | H420E platform motherboard/300W power supply/2 x COM, 8 x USB(2 at front, 6 at rear), 2 x Gigabit LAN port, VGA+DP, 1 group of audio port, expansion:4 x PCI, 2 x PCIEX4 (actually providing the speed of X1), 1 x PCIEX16  |
| 0010-153571 | IPC-810E/ECO-1822/I5-10500E/8G/1T/300W                            | H420E platform motherboard/I5-10500E/8G memory/1T HDD/300W power supply/6 x COM, 8 x USB(2 at front, 6 at rear), 2 x Gigabit LAN port, VGA+DP, 1 group of audio port, expansion:4 x PCI, 2 x PCIEX4 (actually providing the speed of X1), 1 x PCIEX16   |
| 0020-066471 | IPC-810/ECO-1823-03/300W  | Q470E platform motherboard/300W power supply/1 x COM, 10 x USB(2 at front, 8 at rear), 2 x Gigabit LAN port, VGA+DP+DVI-D, 1 group of audio port, expansion:2 x PCI, 2 x PCIe x16, 3 x PCIe x4<br>Note:When two PCIe*16 slots are inserted at same time, the speed of PCIe*8 will be reduced"   |
| 0010-169231 | IPC-810E/ECO-1823-03/I5-10500/8G/1T/300W                          | Q470E platform motherboard/I5-10500/8G memory/1T HDD/300W power supply/6 x COM, 10 x USB(2 at front, 8 at rear), 2 x Gigabit LAN port, VGA+DP+DVI-D, 1 group of audio ports, expansion:2 x PCI, 2 x PCIe x16, 3 x PCIe x4<br>Note:When two PCIe*16 slots are inserted at same time, the speed of PCIe*8 will be reduced"  |
| 0020-059051 | IPC-810 barebone/EPE-1815V2NA-H61/250W power supply               | H61 platform motherboard/250W power supply/EPE-6110E5(V)(4 x PCI, 4 x PCI-E x1 (actually only 2 can be used), 1 x PCI-E x16)/2 x LAN port, 1 x VGA, 4 x USB(2 at front, 2 at rear), 2 x COM, 1 x LPT, 1 x Audio (accessories), 1 x PS2  |
| 0010-083531 | IPC-810E/EPE-1815/G1620/2G/1T/250W/no optical drive               | H61 platform motherboard/G1620/2G memory/1T HDD/250W power supply/EPE-6110E5(V)(4 x PCI, 4 x PCI-E x1 (actually only 2 can be used), 1 x PCI-E x16)/1 x LAN port, 1 x VGA, 4 x USB(2 at front, 2 at rear), 2 x COM, 1 x LPT, 1 x Audio (accessories), 1 x PS2   |
| 0020-061441 | IPC-810 barebone system/EPE-1816/EPE-6110E5/250W no optical drive | H110 platform motherboard/EPE-1816/250W power supply/EPE-6110E5(V)(4 x PCI, 4 x PCI-E x1 (actually only 2 can be used), 1 x PCI-E x16)/2 x LAN port, DP+VGA, 4 x USB(2 at front, 2 at rear), 2 x COM, 1 x Audio (accessories), 1 x PS2  |
| 0020-061451 | IPC-810 barebone system/EPE-1816/EPE-6112E5/250W no optical drive | H110 platform motherboard/EPE-1816/250W power supply/EPE-6112E5(6 x PCI, 4 x PCI-E*4, 1 x *16)/2 x LAN port, DP+VGA, 4 x USB(2 at front, 2 at rear), 2 x COM, 1 x Audio (accessories), 1 x PS2  |
| 0010-096901 | IPC-810E/EPE-1816/I5-6500/4G/500G/300W no optical drive           | H110 platform motherboard/EPE-1816/I5-6500/4G memory/500G HDD/ATX 300W power supply/EPE-6112E5(6 x PCI, 4 x PCI-E*4, 1 x *16)/2 x LAN port, DP+VGA, 4 x USB(2 at front, 2 at rear), 2 x COM, 1 x Audio (accessories), 1 x PS2   |

Note: The final interpretation rights for product specifications, ordering information, etc. belong to EVOC Intelligent Technology Co., Ltd.