



# M50

## Mini Fanless Box PC with skylake-u/Baytrail chipset

- Onboard Intel® Core I7-6500U/I5-6300U/I3-6100U  
Intel Celeron J1900
- Skylake: max up to 20GB  
Baytrail: max up to 8GB
- Support mSATA, Mini PCIe for WIFI and 4G
- Support VGA+HDMI two independent display
- M50-E: 176mm x 53.5mm x 148.5mm  
M50-H: 190mm x 65.5mm x 148.5mm

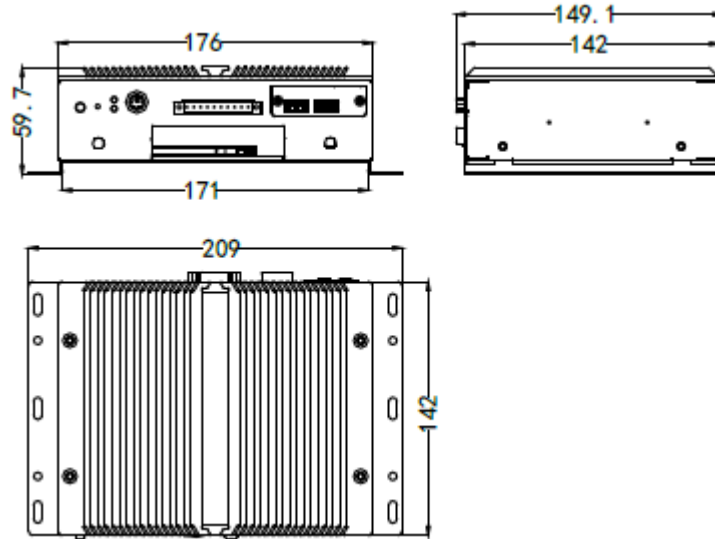


### Specifications

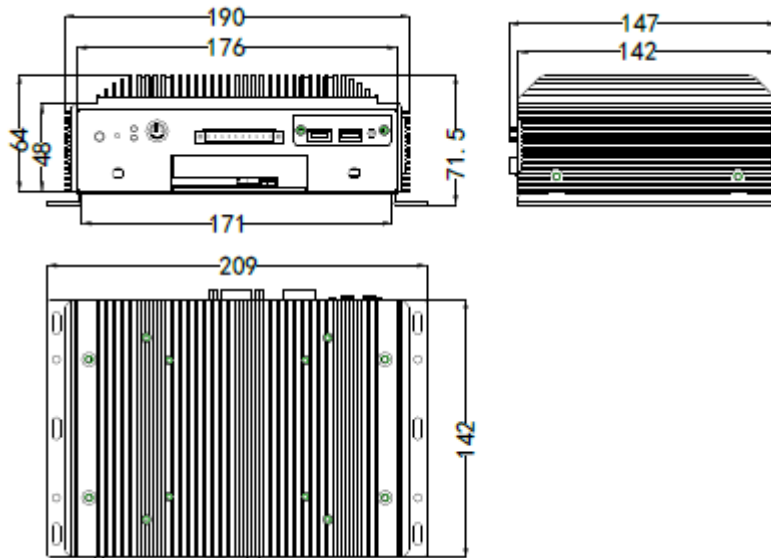
|                              |           |  |
|------------------------------|-----------|--|
| <b>System</b>                | Processor | Onboard Intel® Core™ I7-6500U 2.5GHz/I5-6300U 2.4GHz/I3-6100U 2.3GHz<br>Onboard Intel® Celeron J1900 |
|                              | Chipset   | Intel Skylake-u<br>Intel BayTrail  |
|                              | Memory    | Skylake: onboard 4GB, max up to 20GB<br>BayTrail: onboard 4GB, max up to 8GB                         |
| <b>I/O interface</b>         | LAN       | 2 x 10/100/1000Mbps RJ45 LAN port; (Optional: 4 x Lan ports)   |
|                              | USB       | 6 x USB (MAX)  |
|                              | HDMI      | 1 x HDMI   |
|                              | VGA       | 1 x VGA  |
|                              | COM       | 4 x COM , RS232/485/422 optional (MAX)   |
|                              | PS/2      | 1 x PS/2   |
|                              | Expansion | 1 x Mini PCIE slot   |
|                              | Others    | 1 x 4pin power connector   |
| <b>Storage</b>               | HDD       | 500G HDD, 2.5" SSD optional  |
|                              | M-SATA    | 1 x M-SATA interface   |
| <b>Operating Temperature</b> |           | 0°C ~ 45°C; (HDD)<br>-20°C ~ +70°C (SSD/M-SATA)  |
| <b>Storage Temperature</b>   |           | -40°C ~ 70°C; 5% ~ 90% (non-condensing)  |
| <b>Mounting Method</b>       |           | Embedded panel, VESA standard supporting arm   |
| <b>Power Supply</b>          |           | DC24V (9~30V) wide voltage input, or by AC 220V external power adaptor                               |
| <b>Dimensions(W x H x D)</b> |           | M50-E: 176mm x 53.5mm x 148.5mm<br>M50-H: 190mm x 65.5mm x 148.5mm                                   |
| <b>Weight</b>                |           | M50-E: 1.55kg<br>M50-H: 2.25kg   |



Dimension



M50-E



M50-H

Unit: mm

Ordering Information

| Part Number | Model Number | Description  |
|-------------|--------------|--|
| 0010-103571 | M50-E-01     | Mini Fanless Box PC/ <b>Intel BayTrail chipset/Celeron J1900 2.0GHz</b> /4GB RAM/500G HDD<br>/4 x COM/4 x USB/2 x Gbe/1 x VGA/1 x HDMI/1 x PS/2/1 x Lin-out/1 x MIC/1 x 8bit GPIO<br>9~30V DC power supply |
| 0010-107721 | M50-E-02     | Mini Fanless Box PC/ <b>Intel BayTrail chipset/Celeron J1900 2.0GHz</b> /4GB RAM/500G HDD<br>/2 x COM/6 x USB/4 x Gbe/1 x VGA/1 x HDMI/1 x PS/2/1 x Lin-out/1 x MIC/1 x 8bit GPIO<br>9~30V DC power supply |
| 0010-103581 | M50-H-01     | Mini Fanless Box PC/ <b>Intel Skylake SOC chipset/I3-6100U 2.3GHz</b> /4GB RAM/500G HDD  |



|             |          |  |
|-------------|----------|--|
|             |          | <b>/4 x COM/4 x USB/2 x Gbe</b> /1 x VGA/1 x HDMI/1 x PS/2/1 x Lin-out/1 x MIC/1 x 8bit GPIO<br>9~30V DC power supply  |
| 0010-105831 | M50-H-02 | Mini Fanless Box PC/ <b>Intel Skylake SOC chipset/I5-6300U 2.4GHz</b> /4GB RAM/500G HDD<br><b>/4 x COM/4 x USB/2 x Gbe</b> /1 x VGA/1 x HDMI/1 x PS/2/1 x Lin-out/1 x MIC/1 x 8bit GPIO<br>9~30V DC power supply |
| 0010-105841 | M50-H-03 | Mini Fanless Box PC/ <b>Intel Skylake SOC chipset/I7-6500U 2.5GHz</b> /4GB RAM/500G HDD<br><b>/4 x COM/4 x USB/2 x Gbe</b> /1 x VGA/1 x HDMI/1 x PS/2/1 x Lin-out/1 x MIC/1 x 8bit GPIO<br>9~30V DC power supply |

