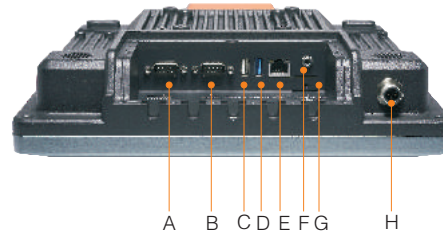


VT-758K



Parhelia B.V.
www.parhelia-bv.com
+31(0)10 741 00 28

10.4" Resistive/Capacitive Touch, BayTrail Platform, Windows 7 / 10, Vehicle Mount Computer



A: COM2 / DIO / CAN2.0B E: LAN
B: COM1 F: Audio out
C: USB2.0 G: SIM Card Slot
D: USB3.0 H: DC Power Inlet



Introduction

VT-758K is the latest generation of ruggedized vehicle mounted computer that comes with Intel Baytrail platform processor and Windows Embedded Standard or Professional operating system. The VT-758K harnesses full Microsoft® Windows® computing power in a mobile environment, optimizing application and network management compatibility, while remaining flexible enough to run multiple advanced applications.

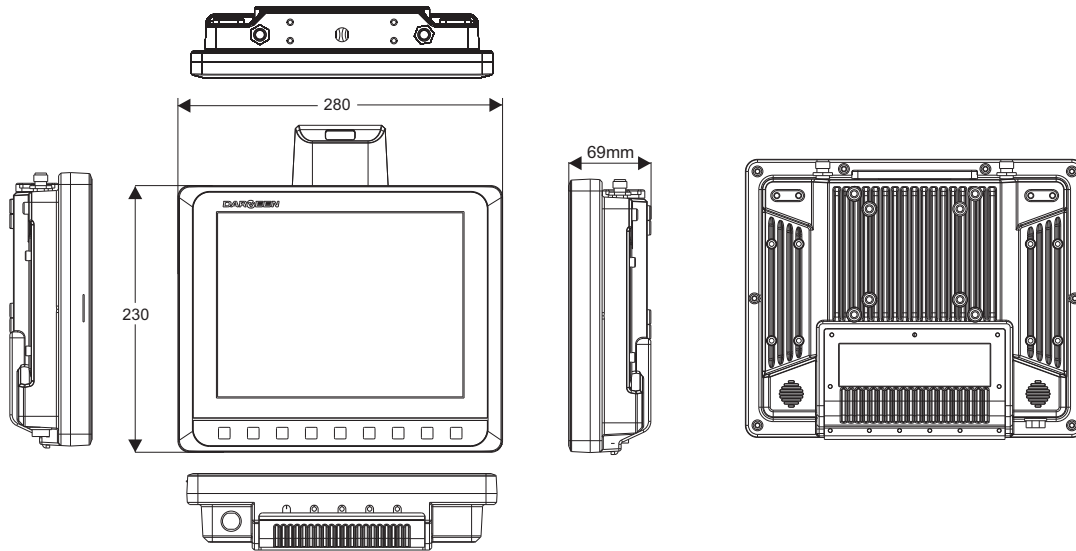
VT-758K assembly 10.4-inch industrial resistive or capacitive touch screen which using high-temperature process, built-in 802.11 a/b/g/n/ac, Bluetooth V4.0, LTE, GPS/GNSS/Beidou, CAN2.0B modules, 8~36V wide-range DC input with power ignition function adapt it to the warehousing forklift, logistics, container trucks and so on. Meet the STD-MIL-810G of anti-shock and vibration, IP65 dust and water proof standard make it operating freely in the most demanding environment.

Features

- 10.4" LED backlight panel with resistive / capacitive touchscreen
- Rugged aluminum enclosure and fanless design
- Full IP65 dust/water protection* Front panel integrated F1-F6 user-defined function keys
- Meet MIL-STD 810G standard anti-vibration shock
- Wide range 8-36V DC Power input with ignition control
- VESA 75 and 100 standard mounting
- Flexible expansion capability for WiFi, Bluetooth, LTE, GPS, CAN2.0B



Dimensions



Specifications

System

Processor	Intel® Quad-Core Celeron J1900 (2.0GHz) Intel® Quad-Core Atom E3845 (1.91GHz)
System Memory	4GB SO-DIMM DDR3L-1333 (up to 8GB)
Storage	32GB mSATA SSD (up to 256GB)
Operating System	Windows 10 Enterprise Windows 7 Professional Windows Embedded Standard 7

Display

Size	10.4-inch
Resolution	1024 x 768
Brightness	400 nits
Backlight	LED Backlight

Touchscreen

Type	VT-758K: 5-Wire Resistive Touchscreen VT-758KC: Multi-touch Capacitive Touchscreen
------	---

Keypad & Keyboard

Keypad	Power On/Off Brightness Adjustment Power LED Indicator F1-F6 User-defined Function Keys
--------	--

RF Communication

WLAN	802.11a/b/g/n/ac (Optional)
WWAN	4G LTE (Optional, LTE, HSPA+, EDGE, GSM/GPRS, EVDO)
Bluetooth	Bluetooth 4.0 (Optional) SIRF III GPS/GLONASS (Optional)
GPS	Beidou GPS (Optional) u-Blox GPS (Optional, 2.5 meters positioning accuracy)

I/O Connectors

Series Port	1 x RS-232/422/485 (COM1, full-function, Pin 9 function can be set to RI, 5V or 12V by jumper) 1 x RS-232 (COM2, full-function, Pin9 function can be set to RI or 5V by jumper)
USB Port	1 x USB2.0 1 x USB3.0
LAN Port	1 x GbE LAN (RJ-45)
DI/DO	4DI/2DO (Optional, with 3.3V power, substitute COM2)
CAN Bus	2 x CAN2.0B (Optional, compatible CAN2.0A, support J1939 protocol and in accordance with ISO 11898-1/2/3, substitute COM2)
Others	1 x SIM Card Slot (push and push) 1 x Power Connector 3 x TNC Connector for External Antenna(WiFi,Bluetooth,WWAN,GPS)

Audio

Speaker	2 x Speaker (4ohm, 2w) 1 x Audio-out (3.5mm Jack)
---------	--

Power Management

Power Input	8-36V DC
Power Consumption	20W typ.
Ignition On/Off	Power on delay, default 10 seconds; Power off delay, default 10 seconds; (On/Off delay time can be changed via BIOS setting); Hardware power off delay 70 seconds after ignition off;
UPS Battery	TBD

Environmental

Operating Temperature	-30-60°C
Relative Humidity	5%-95%, non-condensing
IP Proof	IP65
Shock and Vibration	Shock: MIL-STD-810G Method 516.6 Procedure I Vibration: MIL-STD-810G Method 514.6 Procedure I
Certifications	CE, FCC

Mechanical

Housing	Aluminum
Dimension(WxLxH)	278 x 229 x 68 mm
Weight	3.8 Kg



Parhelia B.V.
www.parhelia-bv.com
☎+31(0)10 741 00 28