

Machine Vision Computer with Intel® LGA1151 6th/7th/8th/9th Core™ i3/i5/i7 CPU, 6 x Intel® LAN(4POE), 16 x Opto-isolated DIO

Overview

Darveen VBC series products for machine vision applications, which support desktop high-performance CPU, integrate 6 x INTEL® LAN , support 4 x POE, provide 16 x isolated GPIO, can expand the motion control card, and are widely used in factory automation, pharmaceutical production line, automobile production line robot arms.

Features

- Intel B365 Chipset
- 6 x Intel LAN(4 x POE), 16 x Opto-isolated DIO
- 8 x USB 3.0, 6 x COM
- 1 x VGA, 1 x HDMI

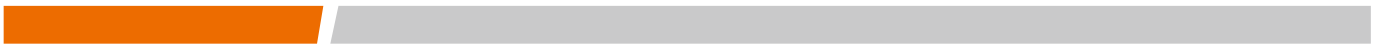
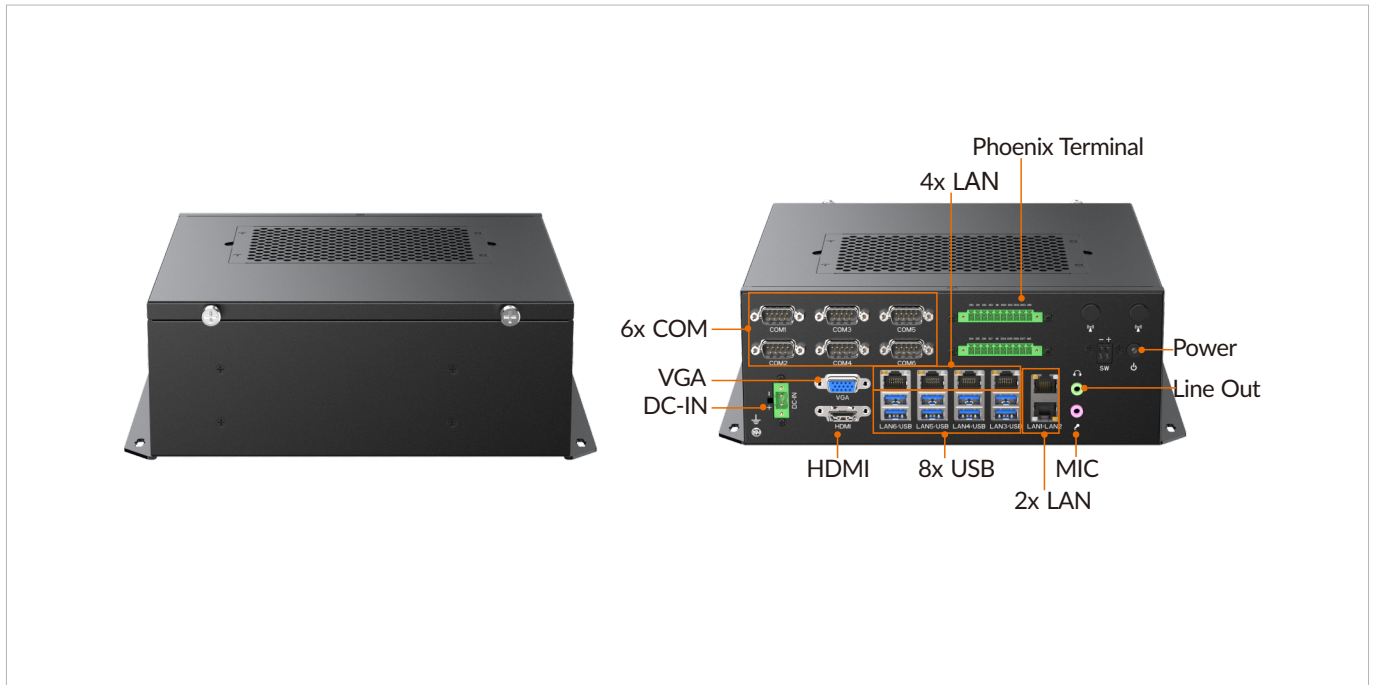


Operating Temp.



Power Input

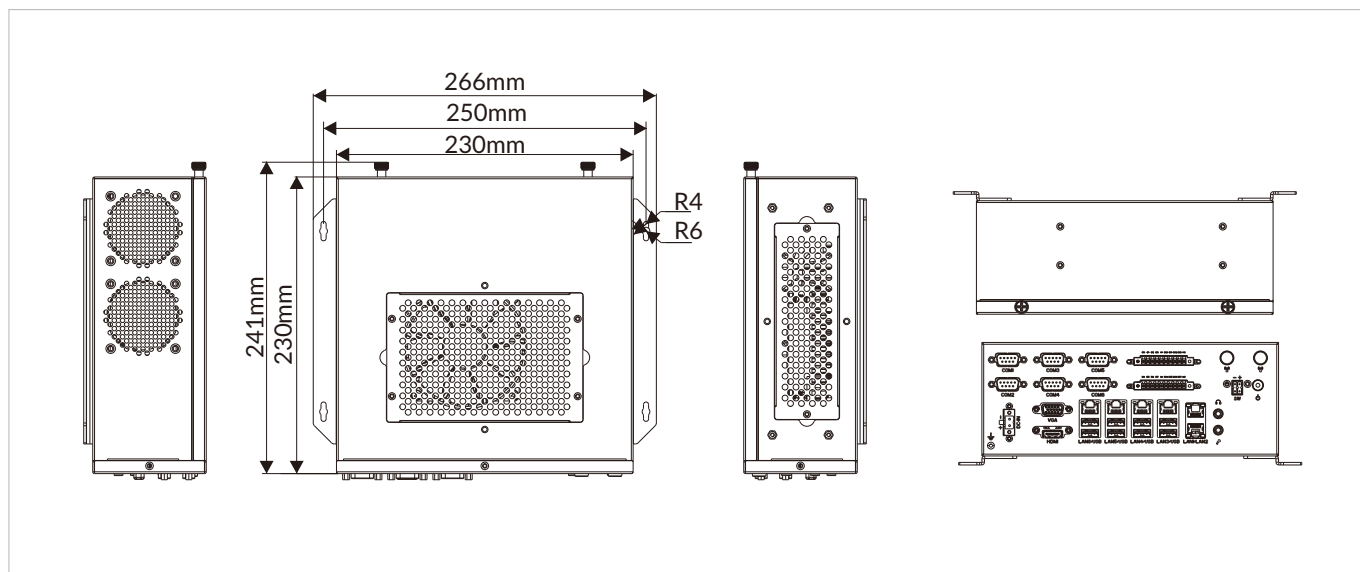
I/O Interfaces



Specifications

System	
CPU	Intel® LGA1151 6th/7th/8th/9th Core i3/i5/i7 CPU
Chipset	Intel® B365
Memory	2 x DDR4-2133/2666 MHz DIMM up to 64GB
Storage	1 x 2.5" HDD 1 x mSATA
Graphics	By CPU
TPM	TPM2.0(Options)
I/O Ports	
USB Port	8 x USB3.0
Serial Port	6 x RS232(2 x RS232/RS485)
Ethernet	6 x Intel® LAN for GbE(4 x POE Options)
Display Port	1 x VGA, 1 x HDMI
SIM Card Slot	1 x SIM
DIO	16 x Opto-isolated DIO(Options)
Antenna Hole	2 x SMA-type
Expansion Slot(Optional)	
Mini-PCle	1 x full-size mini PCle
RF Communication	
Wi-Fi	Mini-PCle Expansion (Optional)
Cellular	Mini-PCle Expansion (Optional)
Bluetooth	Mini-PCle Expansion (Optional)
GNSS	Mini-PCle Expansion (Optional)
Audio	
Audio	Line Out, Mic
Power	
Remote Power On/Off	4-Pin Remote&LED
DC Input	9~28V DC-IN
Input Type	1x2pin Terminal Block Connector
Operating System	
Windows	Windows 7/10/11
Linux	Ubuntu
Mounting Mode	
Dimensions (WxDxH)	230 x 230 x 88mm (8.3 x 8.3 x 2.03 inches)
Weight (N.W.)	2KG(4.41lb)
Mounting	Wall-mount
Material	Sheet Metal
Environment	
Operating Temperature	-0 to 60 (32 to 140°F, with SSD Airflow 0.7m/s)
Storage Temperature	-20 to 80 (-4 to 185°F)
Relative Humidity	10 ~ 85% (Non-condensing)

Dimensions



Ordering Information

Part No.	Description
VBC-210	VBC-210 6LAN(4POE), 16DIO, 8USB, 6COM, VGA, HDMI, Line Out, Mic