

# TMT-800A



**Parhelia B.V.**  
www.parheliabv.com  
+31(0)10 741 00 28

8-inch LCD+LED Bar Screen, RK3399 Six-core Platform, Build-in 4G/5G, Android 11,  
Vehicle Mount Computer



CE FC

## Introduction

TMT-800A is a new-designed smart vehicle terminal for trucks, RTG, OTG and other applications.

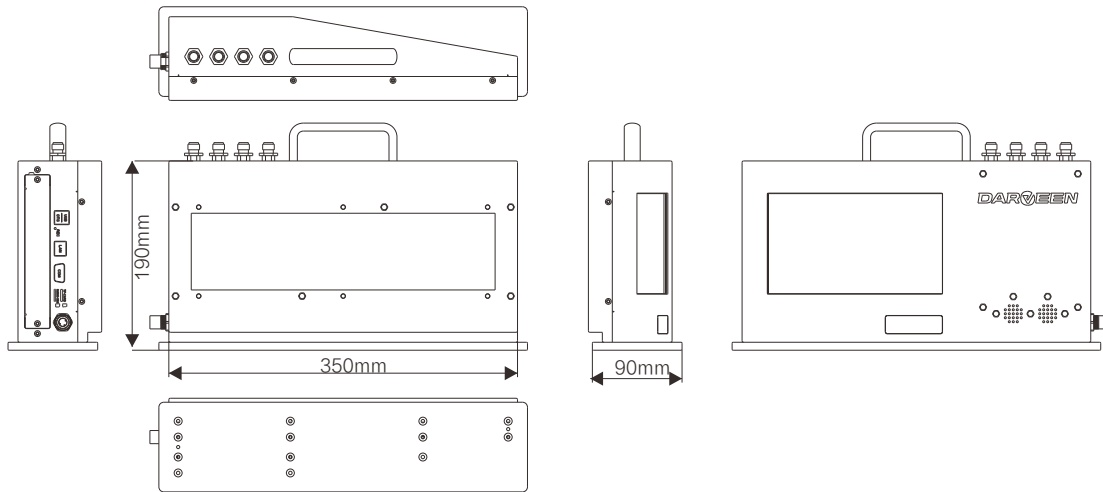
TMT-800A is equipped with the RK3399, a high-performance 6-core processor. Double-sided display panel and optional Wi-Fi, 4G/5G, GPS, Bluetooth and other wireless communication to provide real-time communication connection. Support a serial port, USB, Ethernet port. Through a special mounting bracket, the TMT-800A can be easily installed in the vehicle, even with limited space.

## Features

- 8-inch(1280x720) LCD with capacitive touchscreen
- 8-character high-brightness LED bar screen
- High-performance 6-core processor, up to 1.8GHz
- Rugged aluminum enclosure and fanless design
- Wide range 8-36V DC Power input
- Flexible expansion capability for WiFi, Bluetooth, 4G/5G, GPS



## Dimensions



## Specifications

### System

Processor	RK3399, ARM Dual-core A72 + Quad-core A53, up to 1.8GHz
RAM	4GB LPDDR4
Flash Memory	32GB EMMC
Expansion Slot	1 x TF Card, up to 128GB
Operation System	Android 11

### LCD Panel

Size	8-inch
Resolution(H x V)	1280 x 720
Brightness	600 nits
Touchscreen	Capacitive

### LED Display

Size	300 x 75 mm
Brightness	1000 nits
LED Colour	Red
Display Contents	8-Digit Alphanumeric Characters
Dot Array	64 x 16

### Wireless

WLAN	802.11 a/b/g/n/ac (2.4G/5G)
WWAN	4G LTE FDD/TDD, TD-SCDMA/WCDMA, CDMA/GSM 5G NR/NSA/SA, LTE FDD/TDD, WCDMA (Optional)
GPS	GPS/GLONASS/BeiDou/QZSS/Galileo/SBAS
Bluetooth	Bluetooth V4.2

### I/O Ports

COM Port	1 x RS-232
USB	1 x USB 1 x USB / OTG
Ethernet	1 x 1000M RJ45
SIM	1 x Nano-SIM

### Audio

Speaker	2 x 8Ω/2W
---------	-----------

### Power Management

Power Input	8~36VDC
Power Consumption	10W typ.

### Environmental

Operating Temperature	-20°C ~ +60°C
Storage Temperature	-30°C ~ +70°C
IP Protection Level	IP54 (I/O interface must be closed)
Standard Mounting	VESA 75/100
Testing standard	MIL-STD 810G
Authentication	CE FCC

### Mechanical

Dimension	370 x 190 x 90 mm
Weigh	4.5 Kg

### Button

Button	Power on/off Brightness +/-
--------	--------------------------------