

8" Android Rugged Tablet with MediaTek MT8781 Octa-core Processor

Overview

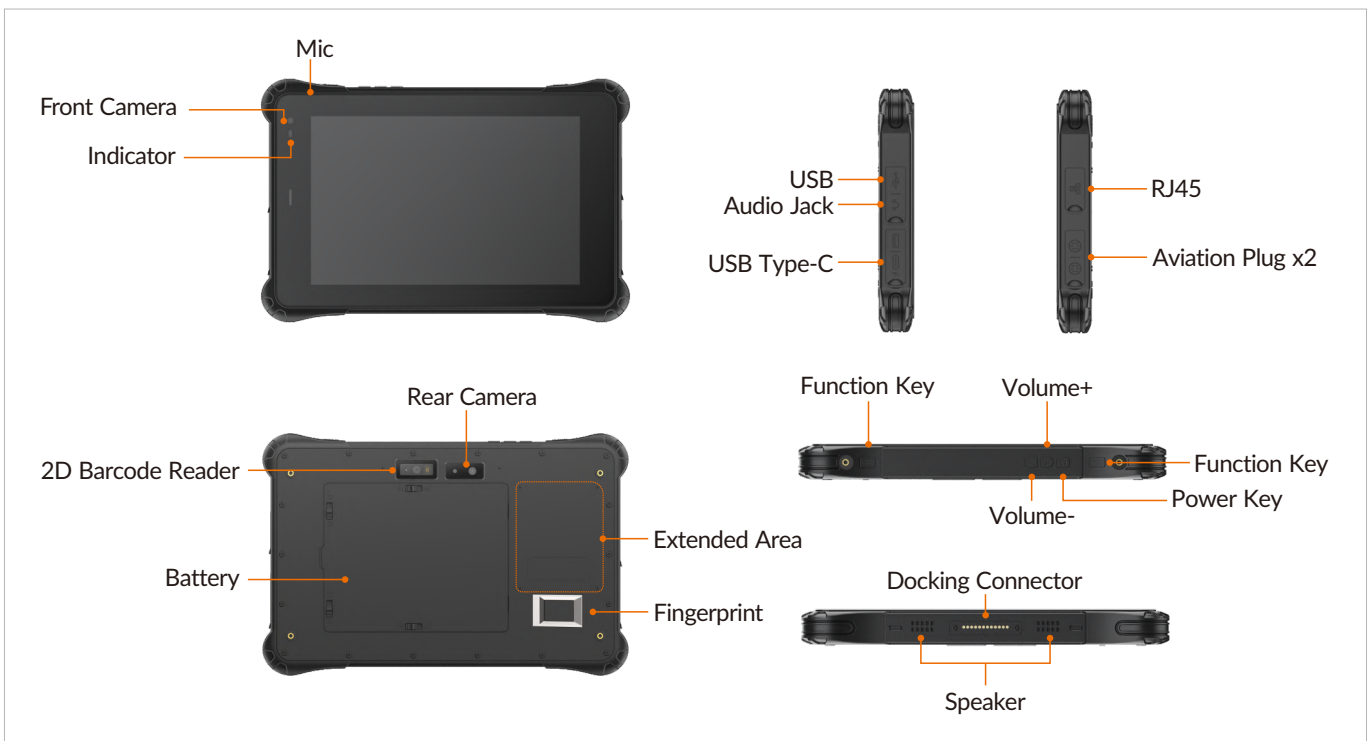
The RTC-M82 features an 8-inch touchscreen and a high-performance MediaTek MT8781 processor, delivering smooth and seamless operation with low power consumption. Running Android 16 and equipped with a wide range of features including NFC and optional 1D/2D barcode reader and RFID module, it helps field workers boost productivity and efficiency. Its 700-nit display ensures clear visibility even under direct sunlight. MIL-STD-810H certified and IP67 rated, the RTC-M82 is built for field mobility, public safety, energy inspection, and logistics and warehouse applications in extreme environments.

Features

- MediaTek MT8781 Octa-core processor, Android 16 operating system
- 8" TFT LCD, 1280 × 800 resolution
- Supports NFC. With optional 1D/2D barcode reader, RFID module, and fingerprint reader
- Supports 4G, WLAN, BT, and GNSS
- Rich I/O interfaces including: RS-232, RJ45 Ethernet, USB
- Removable high-capacity 10,000 mAh battery
- IP67 and MIL-STD-810H certified



I/O Interfaces

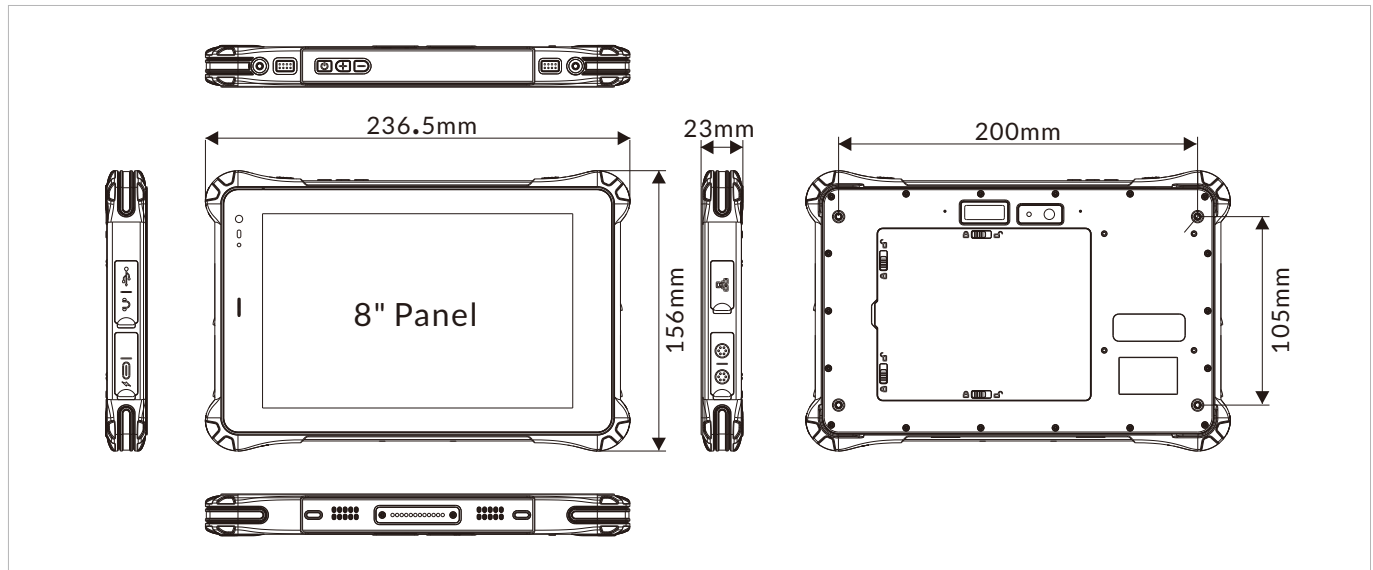


Specifications

Display	
Size	8 inch
Touch Type	G+G Capacitive multi-touch screen, gorilla glass, hardness 7h
Resolution	1280 x 800
Luminance	700 nits
Contrast Ratio	1200: 1
View Angles	85 (left), 85 (right), 85 (up), 85 (down)
Color	16.7M
System	
CPU	MediaTek MT8781, ARM Cortex-A76 Dual-core 2.2 Ghz,ARM Cortex-A55 Hexa-core 2.0GHz
Memory	8GB
Storage	128GB
Graphics	ARM Mail-G57
Camera	Front: 5MP fixed-focus camera Rear: 13MP autofocus camera with flash
Sensor	Compass, Gyroscope, G-sensor, Light sensor
Keypad & Keyboard	
Button	1 x Power button, 1 x Volume+, 1 x Volume -, 2 x Barcode scan keys
I/O Ports	
USB	1 x USB 2.0 Type A 1 x USB 2.0 Type C (supports power charging and data transfer)
Ethernet	1 x RJ45 10/100M
Audio	1 x 3.5mm audio combo jack
SIM Card Slot	1 x Micro SIM card slot
TF Card Slot	1 x TF card slot, up to 256GB
Aviation Plug (optional)	2 x Aviation plug (choose two out of three from USB, RS232 or DC-in)
Docking Connector	1 x 12-Pin
RF Communication	
Wi-Fi	Wi-Fi 802.11 (a/b/g/n/ac), dual band (2.4G + 5.0G)
Cellular	GSM: B2/B3/B5/B8 WCDMA: B1/B2/B5/B8 CDMA2000: BC0/BC1 FDD: B1/B2/B3/B4/B5/B7/B8/B17/B20/B28A/B28B TDD: B34/B38/B39/B40/B41
Bluetooth	BT5.2 (BLE) Class 1
GNSS	GPS, GLONASS, BeiDou
Data Collection	
NFC	13.56MHz, supports ISO/IEC 14443A/14443B/15693/18092/mifare
RFID (Optional)	UHF RFID,supports PR9200
Barcode Reader (Optional)	1D, 2D barcode reader
Fingerprint (Optional)	FBI/ISO/GA certification
Audio	
Speaker	8Ω/1W, dual stereo speakers
MIC	Built-in microphone
Power	
Power Adapter	Input AC:100-240V 50/60HZ 0.5A MAX. Output DC: 5V 3A
Battery	Removable lithium-ion polymer battery, 3.8V 10000mAh
Battery Life	8 hours
Operating System	
Android	Android 16

Mechanical	
Dimensions (W x D x H)	236.5 x 156 x 23mm (9.31 x 6.14 x 0.91 inches)
Weight (N.W.)	850g (1.87lbs)
Environment	
Operating Temperature	-10 °C to 50 °C (14 to 122°F)
Storage Temperature	-20 °C to 60 °C (-4 to 140°F)
Relative Humidity	95% @ 40°C (104°F), non-condensing
Vibration	MIL-STD-810H: 2022 method 514.8 procedure I
Drop	MIL-STD-810H: 2022 method 516.8 procedure IV, 4ft
IP Rating	IP67
Certification	
EMC	CE, FCC
Packing List	
Packing	1 x RTC-M82, 1 x battery, 1 x hand strap, 1 x power adapter

Dimensions



Optional Accessories

Part No.	Description
SS18	Shoulder strap
HS8	Hand strap