

MVT-750A



Parhelia B.V.
www.parheliabv.com
☎ +31(0)10 741 00 28

10.1", P-CAP Touch Panel, RockChip 3399, Vehicle Mount Computer with All M12 Connectors



Introduction

Darveen's MVT-750A is a 10.1-inch rugged industrial-grade vehicle-mounted terminal specially designed for the dispatching and management of heavy-duty vehicles such as mining trucks. It is equipped with a multi-touch capacitive screen, an industrial-grade LCD panel, high-performance six-core processor based on dual-core Cortex A72 and quad-core Cortex A53 architectures. It is adapted to Android 10 or Ubuntu 18.04. The product supports Wi-Fi, Bluetooth, Ublox GPS/Beidou/Glonass, and dual-channel CAN, and can be extended to full Netcom 4G/5G communication to help the mining industry realize real-time vehicle scheduling, comprehensive monitoring, and management.

Features

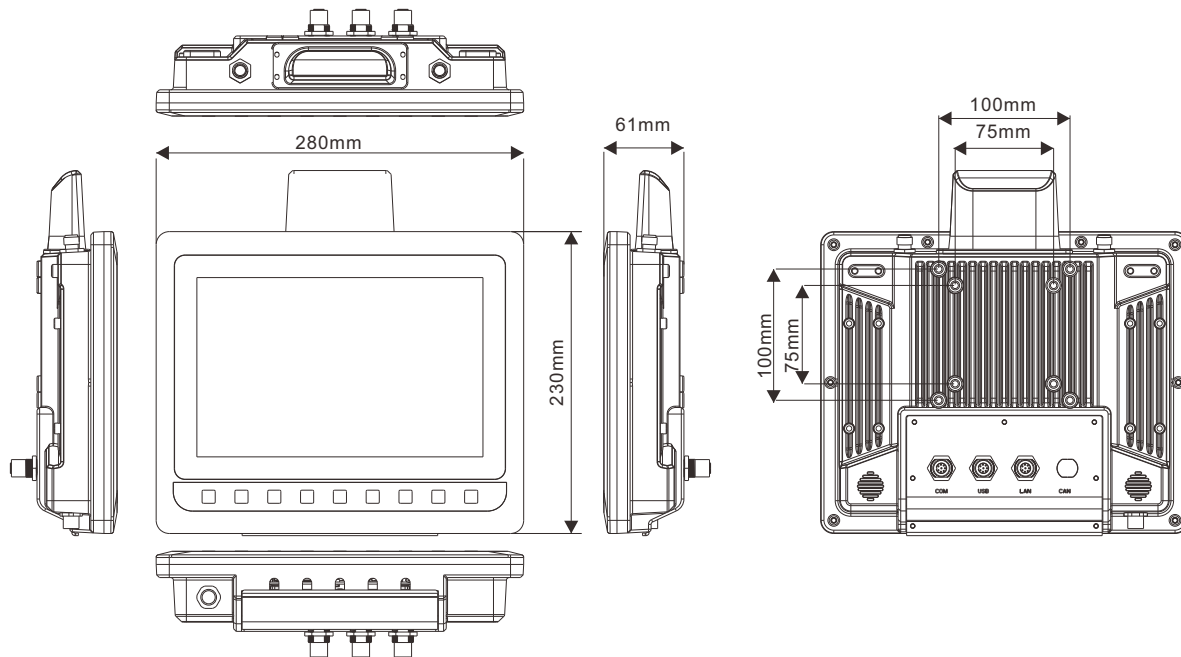
- 10.1" Industrial LCD Screen with P-cap Touch Panel
- Cortex Dual-Core A72 and Quad-Core A53 Processor
- M12 Connector I/O Interface
- Rugged and Fanless Design, IP65
- 8-36V DC input, with Ignition Intelligent Switch Function
- USB, RS-232/422/485, LAN, CAN, TTL, DIO etc.
- Optional WiFi, Bluetooth, 4G/5G, GPS

Applications

- Manufacturing Logistics
- Warehouse Management
- Vehicle Management of Driving School



Dimensions



Specifications

System

CPU	Rockchip RK3399 Processor (1.8GHz)
Memory	4GB LPDDR4
Storage	32GB EMMC
Operating System	Android 10, Ubuntu18.04

Display

Size	10.1-inch
Resolution	1280 x 800
Brightness	400 cd/m ²
Backlight	LED
LED Lifetime	50000 Hrs

Touchscreen

Type	P-CAP Touch
------	-------------

Keypad & Keyboard

Power Switch	Power Switch
Brightness	Brightness Adjustable
Function Key	Custom Function Keys F1~F6

I/O Connectors

Serial Port	1 x RS232, 1 x RS485(STD) 2 x RS232, 2 x RS485, 1 x TTL (Optional)
USB Port	2 x USB2.0
Ethernet	1 x GbE LAN
DIO	4 in & 4 out (Optional)
CAN Bus	2 x CAN2.0B (Optional)
Others	1 x DC-IN

Audio

Speaker	2 x Speaker (8ohm, 2W)
---------	------------------------

RF Communication

WLAN	802.11a/b/g/n/ac
WWAN	4G/5G (Optional)
Bluetooth	Bluetooth 4.0
GNSS	GPS/Beidou/Glonass (Optional)

Power Management

Power Input	DC 8~36V
Power Consumption	13W(Typ.)
Ignition On/Off	Delay 2 seconds to boot; Delay shutdown, default 2 seconds; (The time can be adjusted through Jumper)

Environmental

Operating Temperature	-20~60°C
Relative Humidity	5%-90%, @ 40°C (non-condensing)
IP Level	IP65
Shock and Vibration	MIL-STD-810G Method 516.6 Procedure I MIL-STD-810G Method 514.6 Procedure I
Certifications	CE, FCC

Mechanical

Material	Aluminum
Mounting Mode	VESA-mount
Dimension (W x L x H)	280 x 230 x 69 mm
Weight	3.3Kg

Packing List

1 x MVT-750A
1 x Certificate
1 x Warranty Card