

# MVT-2110



10.1", P-CAP Touch Panel, Intel Core I5-6200U, Vehicle Mount Computer with All M12 Connectors



## Introduction

Darveen's MVT series are rugged vehicle-mounted computers launched for mining and other heavy industries. They are powered by the Intel® i5-6200U low-power processor. They can fully utilize Microsoft Windows data processing capabilities in mobile vehicles and improve applications and network management capabilities while maintaining the flexibility and easy running of multitasking applications. It complies with STD-MIL-810G and IP65 standards and can operate freely in the most severe environments.

The MVT-2110 does have a 10.1-inch LCD screen and industrial resistance touch panel, 8~36V wide voltage DC input power management with Power ignition delay switch function, and a built-in temperature control module. Optional 802.11a/b/g/n/ac, Bluetooth V4.0, full Netcom LTE, dedicated network 1.4G/1.8G LTE, GPS/GNSS/Beidou, CAN2.0B and other modules to make it suitable for dispatching management of vehicles in the mining industry.

## Features

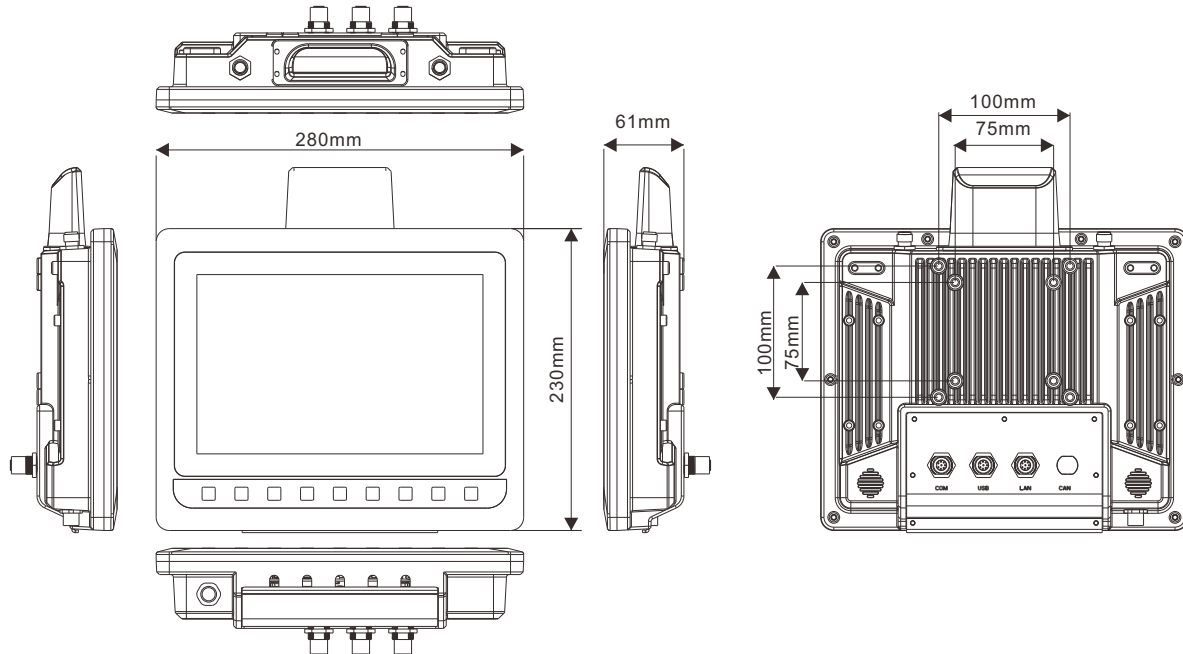
- 10.1" Industrial LCD Screen with P-cap Touch Panel
- Intel® Core™ I5-6200U Processor
- Rugged and fanless Design, IP65
- 8-36V DC Input, with Ignition intelligent Switch Function
- USB, RS-232/422/485, LAN, DIO, etc.
- Optional WiFi, Bluetooth, LTE, GPS, CAN2.0

## Applications

- Manufacturing Logistics
- Warehouse Management
- Vehicle Management of Driving School



## Dimensions



## Specifications

### System

|                  |                                       |
|------------------|---------------------------------------|
| CPU              | Intel® Core™ i5-6200U                 |
| Memory           | 1 x SO-DIMM DDR4 (Up to 16GB)         |
| Storage          | 1 x Full-size Mini-PCIe for mSATA SSD |
| Operating System | Windows 7/10, Linux                   |

### Display

|              |                       |
|--------------|-----------------------|
| Size         | 10.1-Inch             |
| Resolution   | 1280 x 800            |
| Brightness   | 400 cd/m <sup>2</sup> |
| Backlight    | LED                   |
| LED Lifetime | 50000 Hrs             |

### Touchscreen

|      |             |
|------|-------------|
| Type | P-CAP Touch |
|------|-------------|

### Keypad & Keyboard

|              |                            |
|--------------|----------------------------|
| Power Switch | Power Switch               |
| Brightness   | Brightness Adjustable      |
| Function Key | Custom Function Keys F1~F6 |

### I/O Connectors

|             |   |
|-------------|---|
| Serial Port | 2 x RS-232/485  |
| USB Port    | 2 x USB2.0  |
| Ethernet    | 1/2 x GbE LAN   |
| DIO         | 4 in & 4 out, with 3.3V power (Optional)  |
| CAN Bus     | 2 x CAN2.0B (Optional, compatible CAN2.0A, support J1939 protocol and in accordance with ISO 11898-1/2/3) |
| Others      | 1 x DC-IN   |

### Audio

|         |                        |
|---------|------------------------|
| Speaker | 2 x Speaker (8ohm, 2W) |
|---------|------------------------|

### RF Communication

|           |  |
|-----------|--|
| WLAN      | 802.11a/b/g/n/ac (Optional)  |
| WWAN      | 4G LTE (Optional, LTE, HSPA+, EDGE, GSM/GPRS)<br>Bluetooth 4.0 (Optional)<br>GPS/Beidou/Glonass (Optional) |
| Bluetooth |  |
| GNSS      |  |

### Power Management

|                   |  |
|-------------------|--|
| Power Input       | DC 8~36V   |
| Power Consumption | 24W(Typ.)  |
| Ignition On/Off   | Delay start, default 10 seconds<br>Delay shutdown, default 10 seconds;<br>(The time can be adjusted by Jumper)<br>Hardware power off time is 30 seconds after the device detects the Ignition signal |

### Environmental

|                       |  |
|-----------------------|--|
| Operating Temperature | -20~60°C   |
| Relative Humidity     | 5%-90%, @ 40°C (non-condensing)  |
| IP Level              | IP65   |
| Shock and Vibration   | MIL-STD-810G Method 516.6 Procedure I<br>MIL-STD-810G Method 514.6 Procedure I |
| Certifications        | CE, FCC  |

### Mechanical

|                       |                   |
|-----------------------|-------------------|
| Material              | Aluminum          |
| Mounting Mode         | VESA-mount        |
| Dimension (W x L x H) | 280 x 230 x 69 mm |
| Weight                | 3.3Kg             |

### Packing List

|                         |
|-------------------------|
| 1 x MVT-2110            |
| 1 x AC-DC Power Adapter |
| 1 x Certificate         |
| 1 x Warranty Card       |