

MVT-1100

10.1", P-CAP Touch Panel, Intel BayTrail J1900, Vehicle Mount Computer with All M12 Connectors



Introduction

Darveen's MVT series are rugged vehicle-mounted computers launched for mining and other heavy industries. They are powered by the Intel® J1900 low-power processor. They can fully utilize Microsoft Windows data processing capabilities in mobile vehicles and improve applications and network management capabilities while maintaining the flexibility and easy running of multitasking applications. It complies with STD-MIL-810G and IP65 standards and can operate freely in the most severe environments.

The MVT-1100 does have a 10.1-inch LCD screen and industrial resistance touch panel, 8~36V wide voltage DC input power management with Power ignition delay switch function, and a built-in temperature control module. Optional 802.11a/b/g/n/ac, Bluetooth V4.0, full Netcom LTE, dedicated network 1.4G/1.8G LTE, GPS/GNSS/Beidou, CAN2.0B and other modules to make it suitable for dispatching management of vehicles in the mining industry.

Features

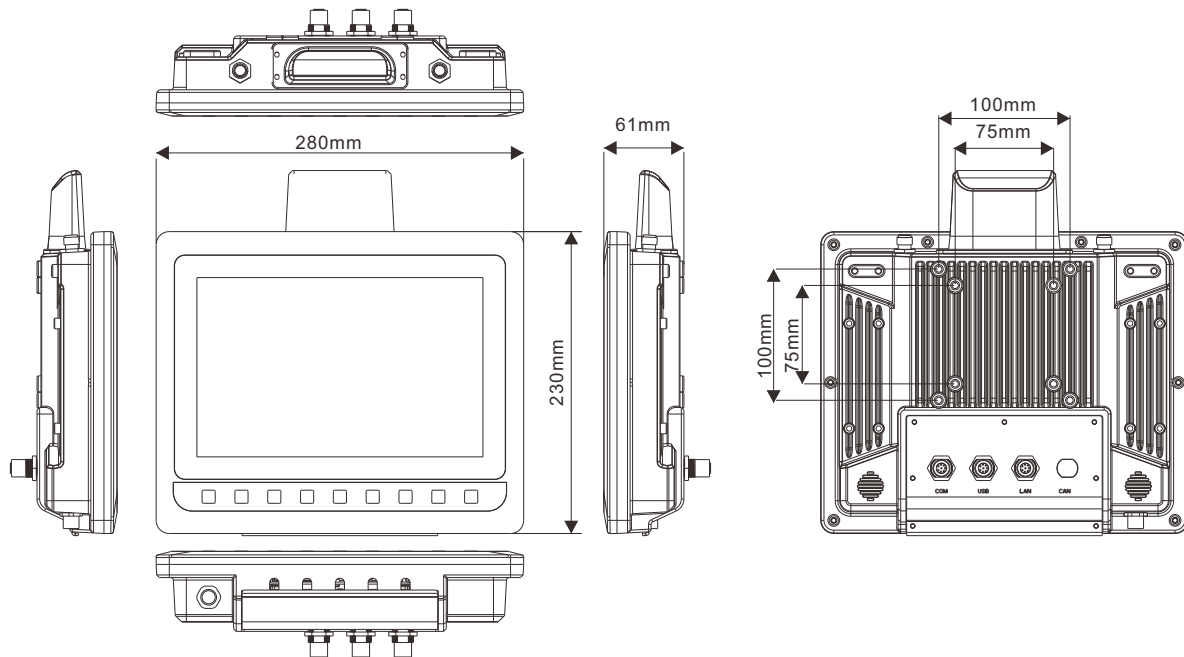
- 10.1" Industrial LCD Screen with P-cap Touch Panel
- Intel® Celeron™ J1900 CPU (2M Cache, 2.00 GHz)
- Rugged and Fanless Design, IP65
- 8-36V DC Input, Ignition Intelligent Switch function
- USB, RS-232/422/485, LAN, DIO, etc.
- Optional WiFi, Bluetooth, LTE, GPS, CAN2.0

Applications

- Manufacturing Logistics
- Warehouse Management
- Vehicle Management of Driving School



Dimensions



Specifications

System

CPU	Intel Quad-Core Celeron J1900 (2.0GHz)
Memory	1 x SO-DIMM DDR3L-1333/1600 (Up to 8GB)
Storage	1 x Full-size Mini-PCIe for mSATA SSD
Operating System	Windows 7/10, Linux

Display

Size	10.1-Inch
Resolution	1280 x 800
Brightness	400 cd/m ²
Backlight	LED
LED Lifetime	50000 Hrs

Touchscreen

Type	P-CAP Touch
------	-------------

Keypad & Keyboard

Power Switch	Power Switch
Brightness	Brightness Adjustable
Function Key	Custom Function Keys F1-F6

I/O Connectors

Serial Port	1 x RS-232/422/485 1 x RS-232
USB Port	2 x USB2.0
Ethernet	1 x GbE LAN
DIO	4 in & 2 out, with 3.3V power (Optional)
CAN Bus	2 x CAN2.0B (Optional, compatible CAN2.0A, support J1939 protocol and in accordance with ISO 11898-1/2/3)
Others	1 x DC-IN connector

Audio

Speaker	1 x Speaker (8Ohm,2W)
---------	-----------------------

RF Communication

WLAN	802.11a/b/g/n/ac (Optional)
WWAN	4G LTE (Optional, LTE, HSPA+, EDGE, GSM/GPRS, 1.4G/1.8G private network)
Bluetooth	Bluetooth 4.0 (Optional)
GNSS	GPS/Beidou/Glonass (Optional)

Power Management

Power Input	DC 8~36V
Power Consumption	18W (Typ.)
Ignition On/Off	Delay start, default 10 seconds Delay shutdown, default 10 seconds; (The time can be adjusted by BIOS) Hardware power off time is 30 seconds after the device detects the Ignition signal

Environmental

Operating Temperature	-20~60°C
Relative Humidity	5%-90%, @ 40°C (non-condensing)
IP Level	IP65
Shock and Vibration	MIL-STD-810G Method 516.6 Procedure I MIL-STD-810G Method 514.6 Procedure I
Certifications	CE, FCC

Mechanical

Material	Aluminum
Mounting Mode	VESA-mount
Dimension (W x L x H)	280 x 230 x 69 mm
Weight	3.3Kg

Packing List

1 x MVT-1110
1 x AC-DC Power Adapter
1 x Certificate
1 x Warranty Card