

Modular Industrial Computer with 10th/11th Gen Intel® Core™ i3/i5/i7/i9, Pentium®, Celeron® Processor

## Overview

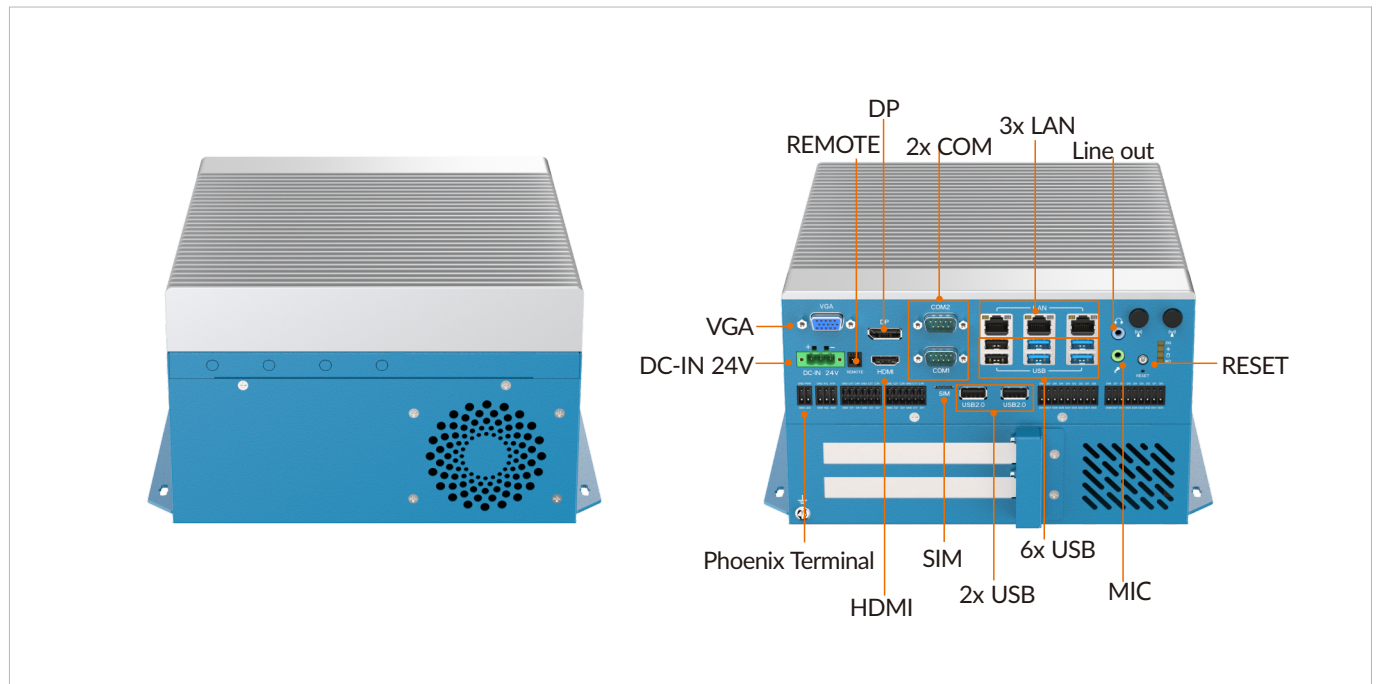
The MIC-8311 is a modular industrial computer with 10th/11th Gen Intel® Core™ i3/i5/i7/i9, Pentium®, and Celeron® processors. It offers extensive connectivity options, expansion capabilities, control interfaces, and flexible display configurations, making it a versatile and reliable choice for industrial applications.

## Features

- 10th/11th Gen Intel® Core™ i3/i5/i7/i9, Pentium®, Celeron® Processor
- 6x COM(5xRS-232/485), 3x LAN, 8x USB
- 1x PCIe, 1x PCI
- 32x GPIO, 2x CAN2.0B
- 1x DP, 1x VGA, 1x HDMI
- 2x M.2 M-Key 2280, 1x M.2 E-Key 2230, 2x M.2 B-Key 3052
- 24VDC power input



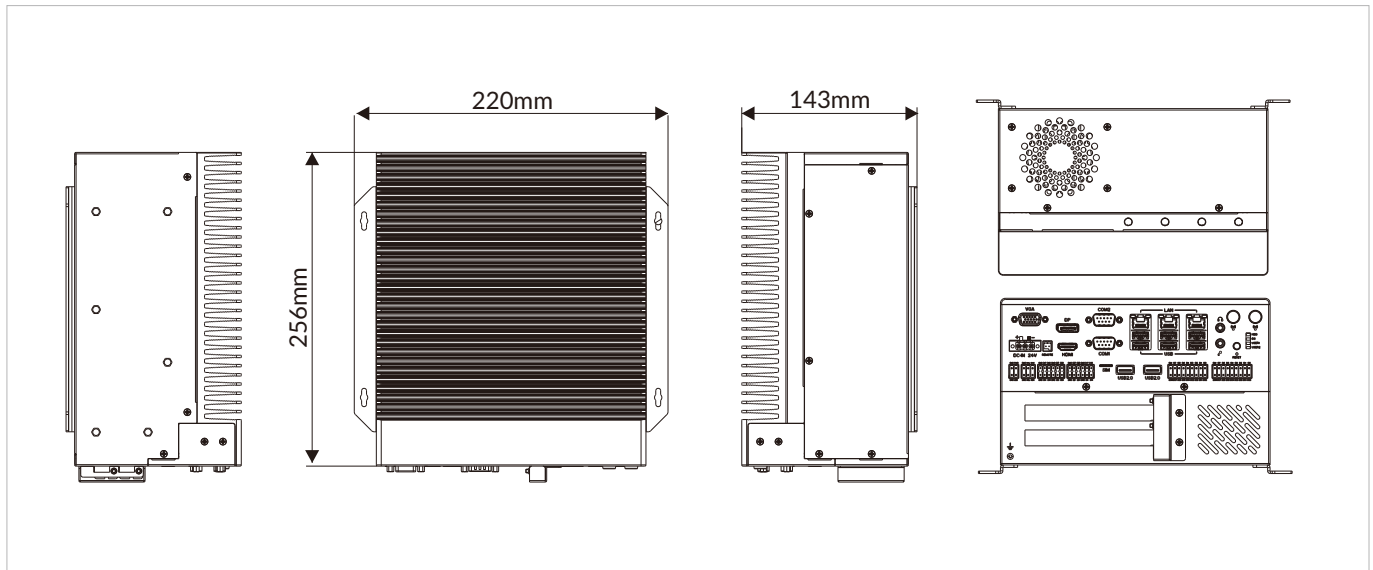
## I/O Interfaces



## Specifications

<b>System</b>	
CPU	10th/11th Gen Intel® Core™ i3/i5/i7/i9, Pentium®, Celeron® Processor
CPU TDP	65W
Chipset	H420E
Memory	2x DDR4 SO-DIMM up to 64GB
Storage	2x M.2 2280 SATA
BIOS	AMI 128Mbit SPI Flash
TPM	1x SPI (optional)
Watchdog Timer	Software programmable supports 256 levels system reset
<b>I/O Ports</b>	
USB Port	4x USB 2.0, 4x USB3.0
Serial Port	6x COM (5xRS-232/485)
Ethernet	1x Intel® I219-LM, 2x Intel® I210-AT
Display Port	1x DP, 1x VGA, 1x HDMI
SIM Card Slot	2x SIM
CAN bus	2x CAN2.0B with isolation
GPIO	32x GPIO with isolation
Antenna Hole	6x SMA-type
<b>Expansion Slot</b>	
PCI/PCIe	1x PCI, 1x PCIe16
Mini-PCIe	1x Full length mini PCIe
M.2	2x M.2 M-Key 2280,1x M.2 E-Key 2230 ,2x M.2 B-Key 3052
<b>RF Communication</b>	
Wi-Fi	1x M.2 2230 E-Key (PCIe AxMac Wi-Fi 6)
Cellular	1x M.2 3052 B-Key (USB3.0)
Bluetooth	1x M.2 2230 E-Key (PCIe AxMac Wi-Fi 6)
GNSS	1x M.2 3052 B-Key (USB3.0)
<b>Audio</b>	
Audio	Mic in, line out
<b>Power</b>	
Remote Power On/Off	4-Pin remote
DC Input	24VDC
Input Type	1x 3-pin terminal block connector
Power Mode	AT/ATX
<b>Operating System</b>	
Windows	Windows 10/11
Linux	Ubuntu
<b>Mechanical</b>	
Dimensions (WxDxH)	220 x 256 x 136mm (8.66 x 10.08 x 5.35 inches)
Weight (N.W.)	4.6kg (10.14 lbs)
Mounting	Wall-mount
Material	Aluminum alloy
<b>Environment</b>	
Operating Temperature	-10 to 50°C (14 to 122°F, with SSD Airflow 0.7m/s)
Storage Temperature	-40 to 80°C(-40 to 176°F)
Relative Humidity	10% to 95% (non-condensing)
Certification	
EMC	CE, FCC Class A

## Dimensions



## Ordering Information

Part No.	Description
MIC-8311	10th/11th Gen Intel® Core-i processor, 3xLAN, 2xCOM(1xRS-232/485), 8x USB, 32x GPIO, 2x CAN2.0B, 1xPCI, 1xPCllex16, 1xDP, 1xVGA, 1xHDMI