

Modular Industrial Computer with 10th/11th Gen Intel® Core™ i3/i5/i7/i9, Pentium®, Celeron® Processor

Overview

The MIC-8000 is a modular industrial computer featuring 10th/11th Gen Intel® Core™ i3/i5/i7/i9, Pentium®, and Celeron® processors. With robust functionalities, extensive connectivity options, flexible video outputs, and storage solutions, it provides excellent performance for diverse industrial applications while operating on a 24VDC power input.

Features

- 10th/11th Gen Intel® Core™ i3/i5/i7/i9, Pentium®, Celeron® Processor
- 2x COM(1xRS-232/485), 3x LAN, 6x USB
- 1x DP, 1x VGA, 1x HDMI
- 2x M.2 M-Key 2280, 1x M.2 E-Key 2230, 1x M.2 B-Key 3052
- 24VDC power input



Operating Temp.

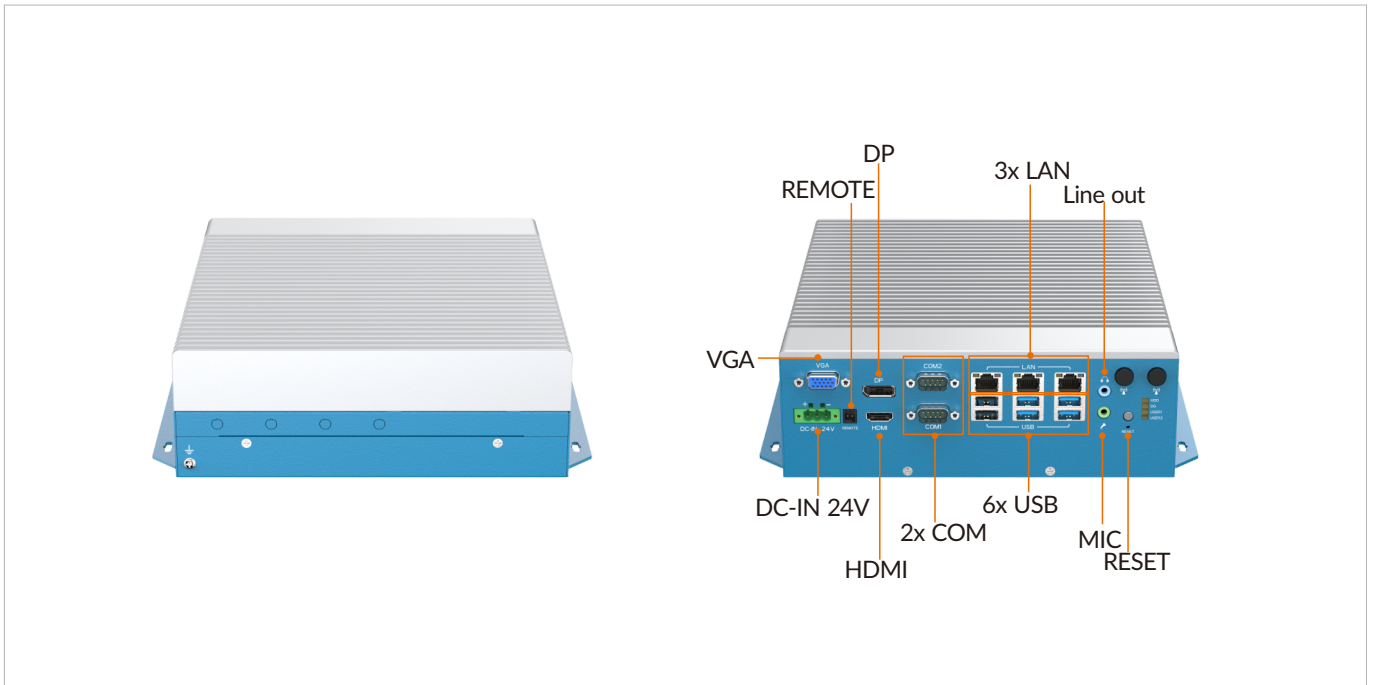


Power Input



Fanless

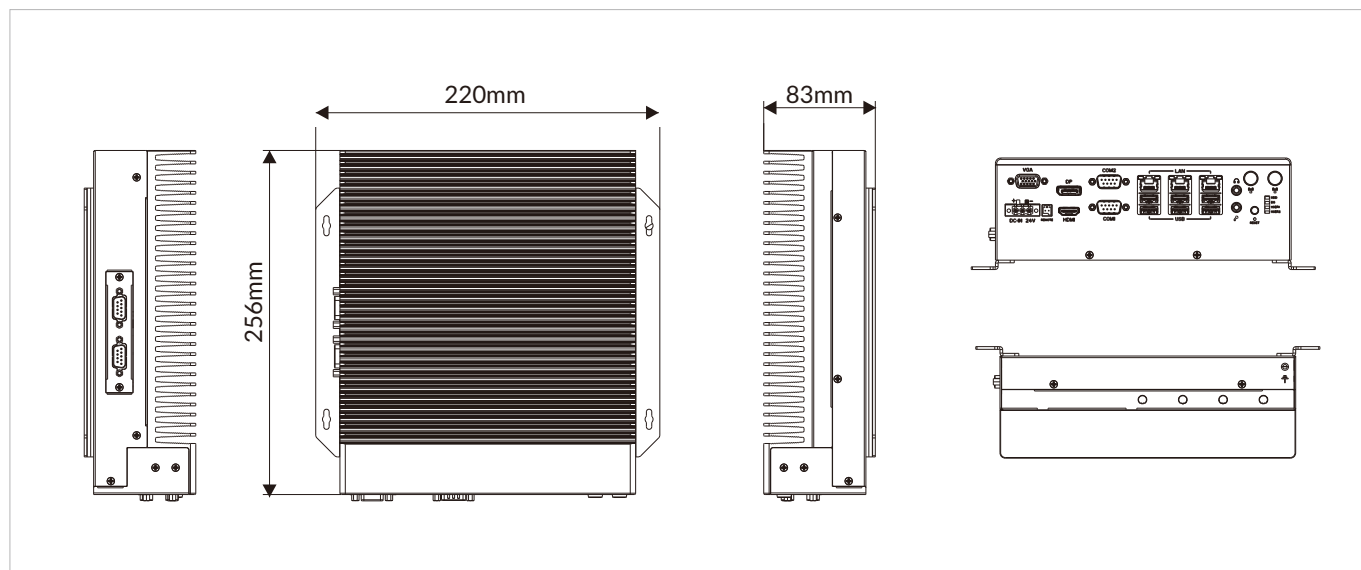
I/O Interfaces



Specifications

| | |
|-----------------------|--|
| System | |
| CPU | 10th/11th Gen Intel® Core™ i3/i5/i7/i9, Pentium®, Celeron® Processor |
| CPU TDP | 65W |
| Chipset | H420E |
| Memory | 2x DDR4 SO-DIMM up to 64GB |
| Storage | 2x M.2 2280 SATA |
| BIOS | AMI 128Mbit SPI Flash |
| TPM | 1x SPI (optional) |
| Watchdog Timer | Software programmable supports 256 levels system reset |
| I/O Ports | |
| USB Port | 2x USB 2.0, 4x USB3.0 |
| Serial Port | 2x COM (1xRS-232/485) |
| Ethernet | 1x Intel® I219-LM, 2x Intel® I210-AT |
| Display Port | 1x DP, 1x VGA, 1x HDMI |
| SIM Card Slot | 1x SIM |
| Antenna Hole | 6x SMA-type |
| Expansion Slot | |
| M.2 | 2x M.2 M-Key 2280,1x M.2 E-Key 2230 ,1x M.2 B-Key 3052 |
| RF Communication | |
| Wi-Fi | 1x M.2 2230 E-Key (PCIe AxMac Wi-Fi 6) |
| Cellular | 1x M.2 3052 B-Key (USB3.0) |
| Bluetooth | 1x M.2 2230 E-Key (PCIe AxMac Wi-Fi 6) |
| GNSS | 1x M.2 3052 B-Key (USB3.0) |
| Audio | |
| Audio | Mic in, line out |
| Power | |
| Remote Power On/Off | 2-Pin remote |
| DC Input | 24VDC |
| Input Type | 1x 3-pin terminal block connector |
| Power Mode | AT/ATX |
| Operating System | |
| Windows | Windows 10/11 |
| Linux | Ubuntu |
| Mechanical | |
| Dimensions (WxDxH) | 220 x 256 x 76mm (8.66 x 10.08 x 2.99 inches) |
| Weight (N.W.) | 4.3kg (9.48 lbs) |
| Mounting | Wall-mount |
| Material | Aluminum alloy |
| Environment | |
| Operating Temperature | -10 to 50°C (14 to 122°F, with SSD Airflow 0.7m/s) |
| Storage Temperature | -40 to 80°C(-40 to 176°F) |
| Relative Humidity | 10% to 95% (non-condensing) |
| Certification | |
| EMC | CE, FCC Class A |

Dimensions



Ordering Information

| Part No. | Description |
|----------|---|
| MIC-8000 | 10th/11th Gen Intel® Core-i processor, 3x LAN, 2x COM(1xRS-232/485), 6x USB, 1x DP, 1x VGA, 1x HDMI |