

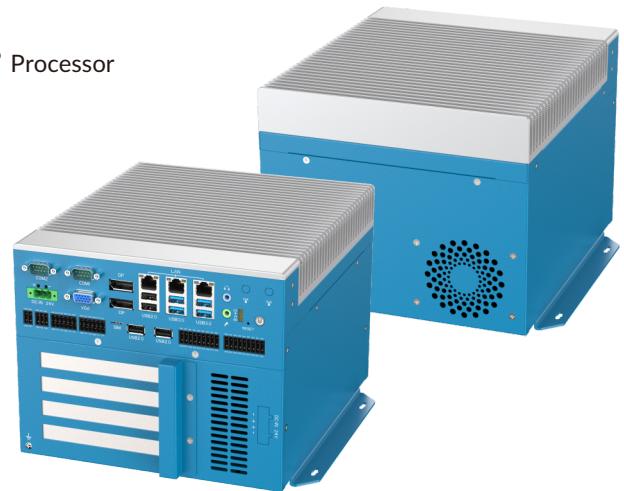
Industrial Modular Computer with 6th/7th/8th/9th Gen Intel® Core™ i3/i5/i7/i9, Pentium®, Celeron® Processor

## Overview

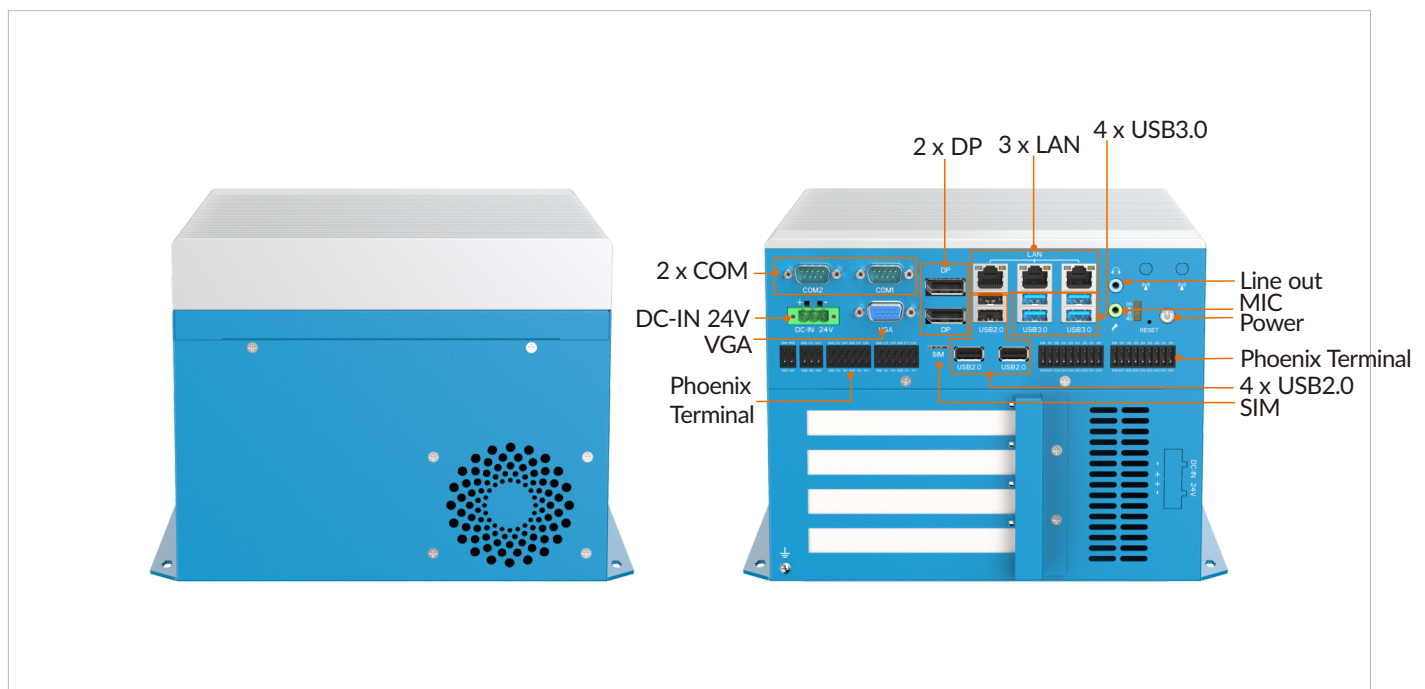
The MIC-7322 is a modular industrial computer featuring 6th/7th/8th/9th Gen Intel® Core™ i3/i5/i7/i9, Pentium®, and Celeron® processors. With robust functionalities, extensive connectivity options, flexible video outputs, and storage solutions, it provides excellent performance for diverse industrial applications while operating on a 24VDC power input.

## Features

- 6th/7th/8th/9th Gen Intel® Core™ i3/i5/i7/i9, Pentium®, Celeron® Processor
- 6 x COM(5 x RS-232/485), 3 x LAN, 8 x USB
- 2 x PCI, 1 x PCIe X16, 1 x PCIe X4
- 32 x GPIO , 2 x CAN2.0B
- 2 x DP, 1 x VGA
- 1 x 2.5" SATA HDD/SSD, 1 x M.2 SSD, 1 x full length Mini PCIe
- 24VDC power input



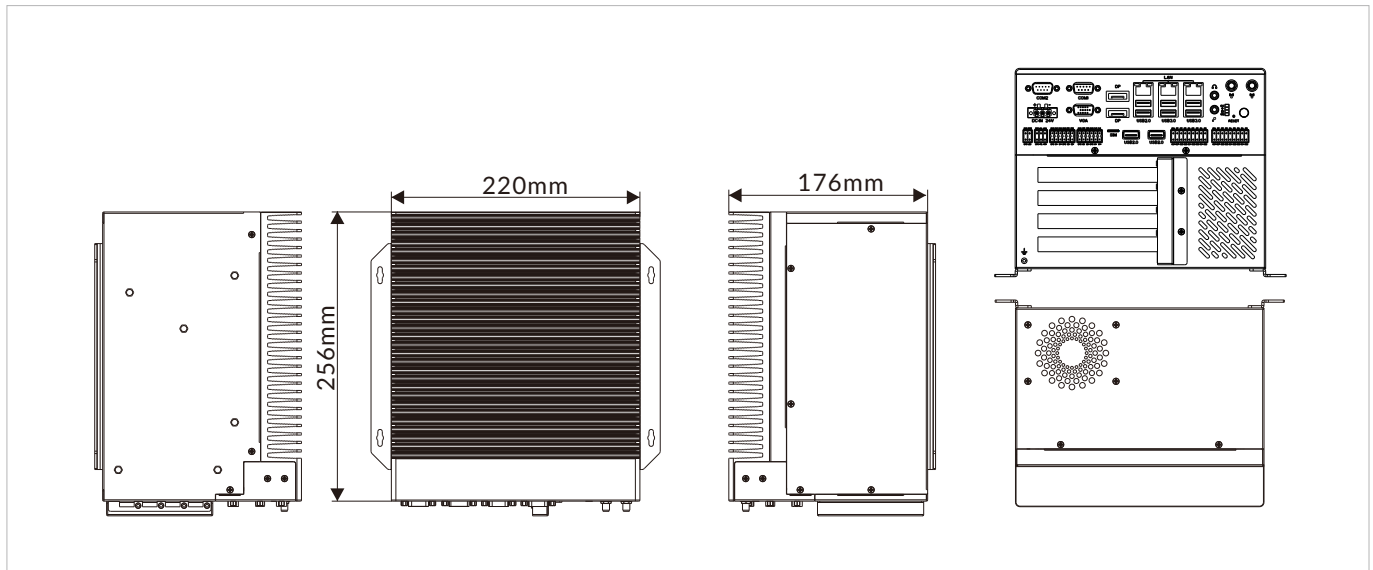
## I/O Interfaces



## Specifications

|                         |  |
|-------------------------|--|
| <b>System</b>           |  |
| CPU                     | LGA1151 Socket i3/i5/i7/i9                             |
| CPU TDP                 | 65W  |
| Chipset                 | Intel® H110  |
| Memory                  | 2 x DDR4 SO-DIMM up to 32GB                            |
| Storage                 | 1 x 2.5" SATA HDD<br>1 x M.2 2280 SATA                 |
| BIOS                    | AMI UEFI   |
| TPM                     | 1 x SPI (optional)                                     |
| Watchdog Timer          | Software programmable supports 256 levels system reset |
| <b>I/O Ports</b>        |  |
| USB Port                | 4 x USB 2.0, 4 x USB3.0                                |
| Serial Port             | 6 x COM (5xRS-232/485)                                 |
| Ethernet                | 1 x Intel® I219-LM, 2 x Intel® I210-AT                 |
| Display Port            | 2 x DP, 1 x VGA  |
| SIM Card Slot           | 2 x SIM  |
| Antenna Hole            | 2 x SMA-type   |
| <b>Expansion Slot</b>   |  |
| PCI/PCIe                | 2 x PCI, 1 x PCIe X16, 1 x PCIe X4                     |
| Mini-PCIe               | 1 x full length Mini PCIe                              |
| M.2                     | 1 x M.2 B-Key 3052                                     |
| <b>RF Communication</b> |  |
| Wi-Fi                   | Mini-PCIe Expansion (Optional)                         |
| Cellular                | M.2 3052 B-Key(Optional)                               |
| Bluetooth               | Mini-PCIe Expansion (Optional)                         |
| GNSS                    | M.2 3052 B-Key(Optional)                               |
| <b>Audio</b>            |  |
| Audio                   | Mic in, line out                                       |
| <b>Power</b>            |  |
| Remote Power On/Off     | 4-Pin remote   |
| DC Input                | 24VDC  |
| Input Type              | 1x 3-pin terminal block connector                      |
| Power Mode              | AT/ATX   |
| <b>Operating System</b> |  |
| Windows                 | Windows 7/10   |
| Linux                   | Ubuntu   |
| <b>Mechanical</b>       |  |
| Dimensions (WxDxH)      | 220 x 256 x 176mm(8.66 x 10.08 x 6.93 inches)          |
| Weight (N.W.)           | 5.6kg(12.35 lb)  |
| Mounting                | Wall-mount   |
| Material                | Aluminum alloy   |
| <b>Environment</b>      |  |
| Operating Temperature   | -10 to 50°C (14 to 122°F, with SSD Airflow 0.7m/s)     |
| Storage Temperature     | -40 to 80°C (-40 to 176°F)                             |
| Relative Humidity       | 10% to 95% (non-condensing)                            |
| <b>Certification</b>    |  |
| EMC                     | CE, FCC Class A  |

## Dimensions



## Ordering Information

| Part No. | Description  |
|----------|--|
| MIC-7322 | Industrial Modular Computer with Intel® Core-i processor, 3 x LAN, 6 x COM(5 x RS-232/485), 8 x USB, 32 x GPIO, 2 x CAN2.0B, 2 x PCI, 1 x PCIe X16, 1 x PCIe X4, 2 x DP, 1 x VGA |