

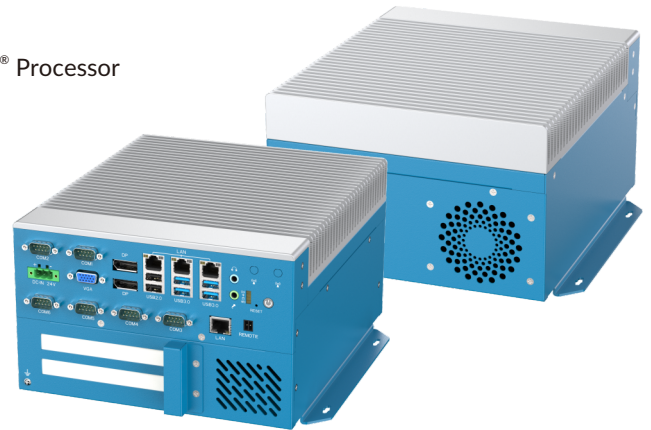
Industrial Modular Computer with 6th/7th/8th/9th Gen Intel® Processor, 4 x LAN, 6 x COM (3 x RS-232/485), 6 x USB, 1 x Remote, 1 x PCI, 1 x PCIe16

## Overview

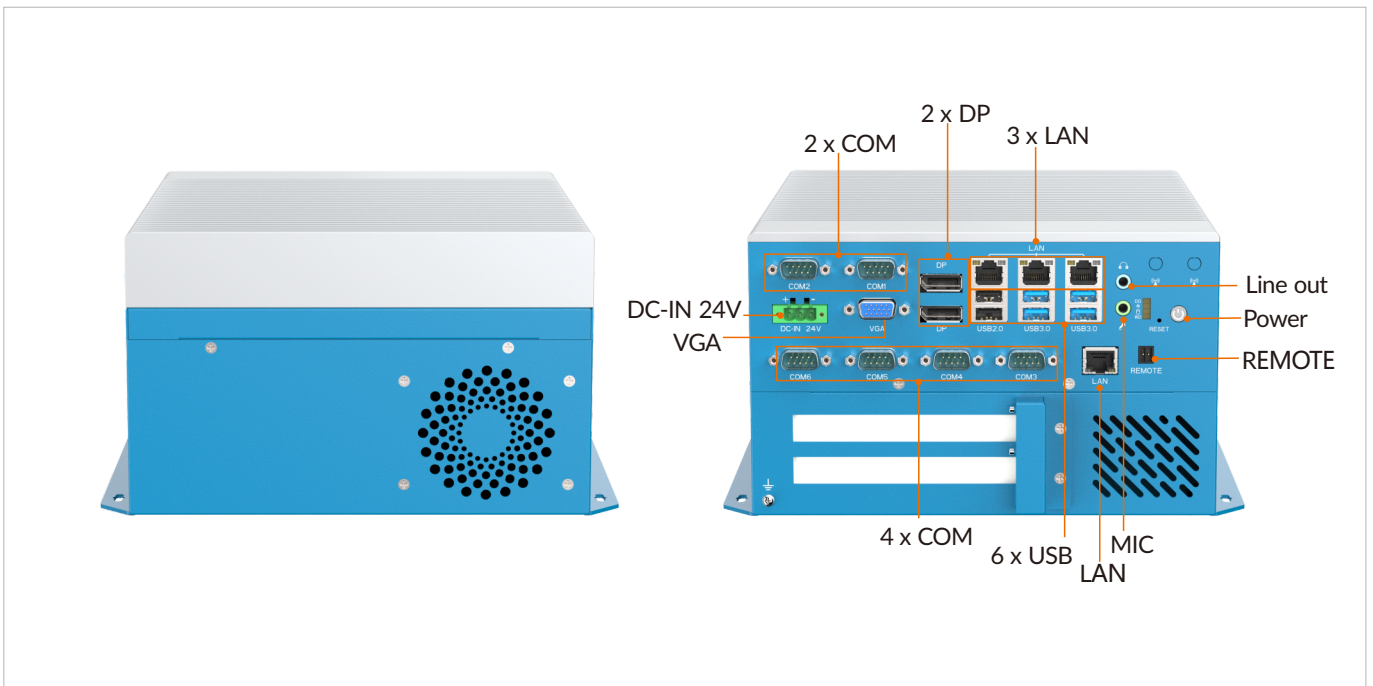
The MIC series boasts a modular design that incorporates versatile expansion slots to cater to a wide range of application needs. Its robust aluminum housing provides excellent heat dissipation and exceptional EMI/impact/vibration resistance. MIC-7211 is specifically designed to support Intel® processors from 6th to 9th generation with LGA1151 socket compatibility. This makes it a perfect fit for embedded and industrial PC applications that require high-performance processors in compact spaces.

## Features

- 6th/7th/8th/9th Gen Intel® Core™ i3/i5/i7/i9, Pentium®, Celeron® Processor
- 6 x COM(3 x RS-232/485), 4 x LAN, 6 x USB
- 1 x PCIe x16, 1 x PCI
- 2 x DP, 1 x VGA
- 1 x 2.5" SATA HDD/SSD, 1 x M.2 SSD, 1 x full length Mini PCIe
- 24VDC power input



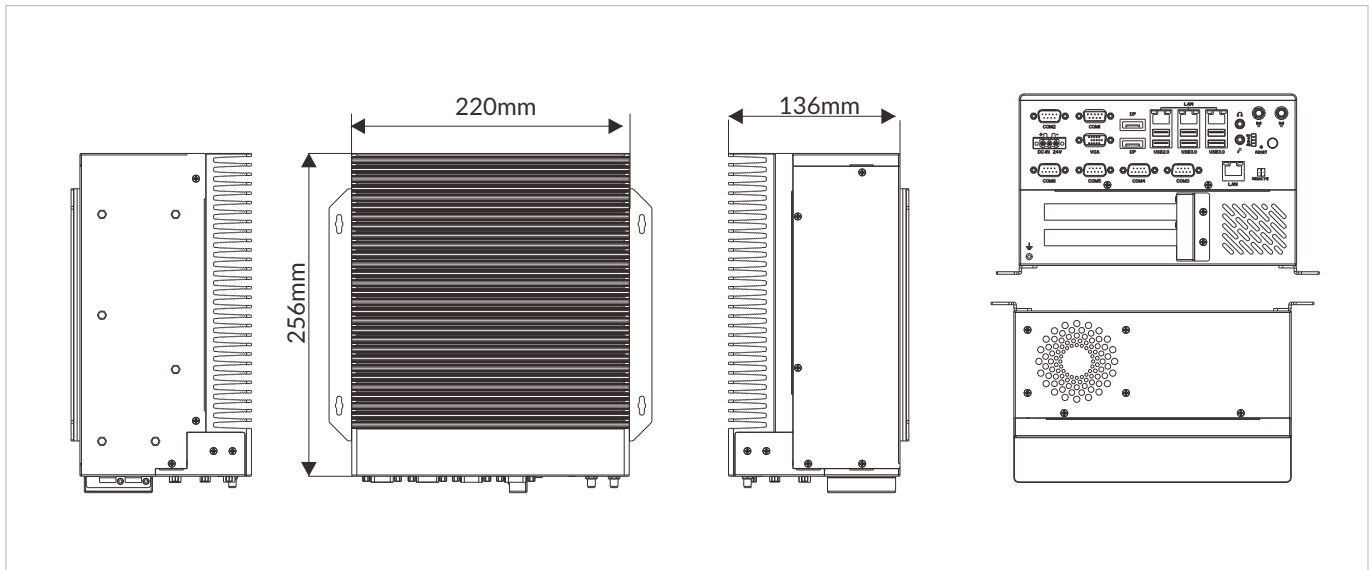
## I/O Interfaces



## Specifications

<b>System</b>	
CPU	LGA1151 socket 6th/7th/8th/9th gen Intel® processor
CPU TDP	65W
Chipset	Intel® H110
Memory	2 x DDR4 2133 MHz SO-DIMM up to 32GB
Storage	1 x 2.5" SATA HDD 1 x M.2 2280 SATA
BIOS	AMI UEFI
Watchdog Timer	Software programmable supports 256 levels system reset
<b>I/O Ports</b>	
USB Port	2 x USB 2.0, 4 x USB3.0
Serial Port	6 x COM(3 x RS-232/485)
Ethernet	2 x Intel® i210, 1 x Intel® i219-LM ,1 x Intel® i225
Display Port	2 x DP, 1x VGA
SIM Card Slot	1 x SIM
Antenna Hole	2 x SMA-type
<b>Expansion Slot</b>	
PCI/PCIe	1 x PCI, 1 x PCIe16
Mini-PCIe	1 x full-size mini PCIe
M.2	1 x M.2 2280 SSD
<b>RF Communication</b>	
Wi-Fi	Mini PCIe expansion (optional)
Cellular	Mini PCIe expansion (optional)
Bluetooth	Mini PCIe expansion (optional)
GNSS	Mini PCIe expansion (optional)
<b>Audio</b>	
Audio	Mic in, line out
<b>Power</b>	
Remote Power On/Off	2-pin remote switch
DC Input	24VDC
Input Type	1 x 3-pin terminal block connector
Power Mode	AT/ATX
<b>Operating System</b>	
Windows	Windows 7/10
Linux	Ubuntu
<b>Mechanical</b>	
Dimensions (WxDxH)	220 x 256 x 136mm (8.66 x 10.08 x 5.35 inches)
Weight (N.W.)	4.6kg (10.14 lb)
Mounting	Wall-mount
Material	Aluminum alloy
<b>Environment</b>	
Operating Temperature	-10 to 50°C (14 to 122°F, with SSD Airflow 0.7m/s)
Storage Temperature	-40 to 80°C (-40 to 176°F)
Relative Humidity	10% to 95% (non-condensing)
<b>Certification</b>	
EMC	CE, FCC Class A

## Dimensions



## Ordering Information

Part No.	Description
MIC-7211	Industrial Modular Computer with Intel® Core-i processor, 4 x LAN, 6 x COM(3 x RS-232/485), 6 x USB, 1 x PCI, 1 x PClex16, 2 x DP, 1 x VGA