

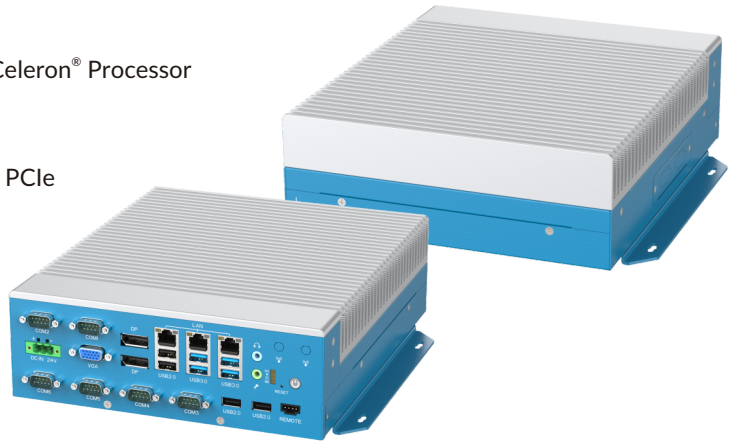
Industrial Modular Computer with 6th/7th/8th/9th Gen Intel® Core™ i3/i5/i7/i9, Pentium®, Celeron® Processor

Overview

The MIC-7100 is a modular industrial computer featuring 6th/7th/8th/9th Gen Intel® Core™ i3/i5/i7/i9, Pentium®, and Celeron® processors. With robust functionalities, extensive connectivity options, flexible video outputs, and storage solutions, it provides excellent performance for diverse industrial applications while operating on a 24VDC power input.

Features

- 6th/7th/8th/9th Gen Intel® Core™ i3/i5/i7/i9, Pentium®, Celeron® Processor
- 6 x COM(3 x RS-232/485), 3 x LAN, 8 x USB
- 2 x DP, 1 x VGA
- 1 x 2.5" SATA HDD/SSD, 1 x M.2 SSD, 1 x full length Mini PCIe
- 24VDC power input

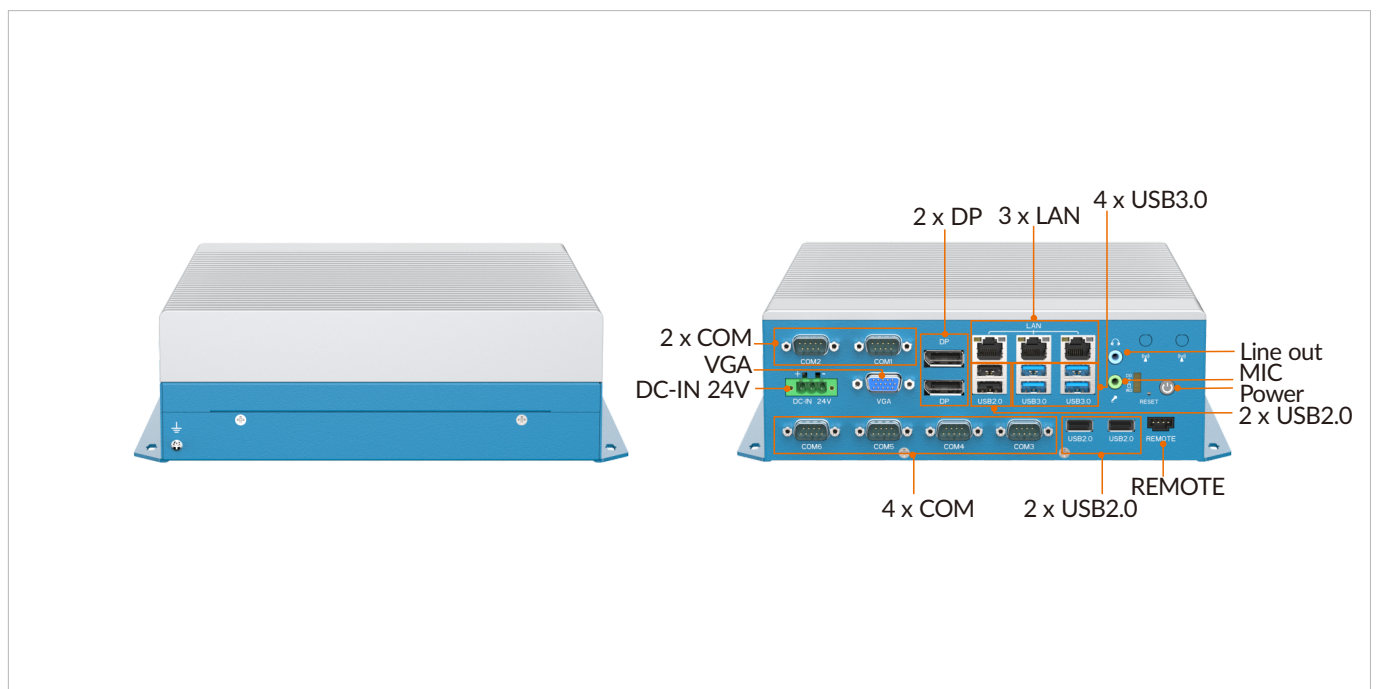


Operating Temp.

Power Input

Fanless

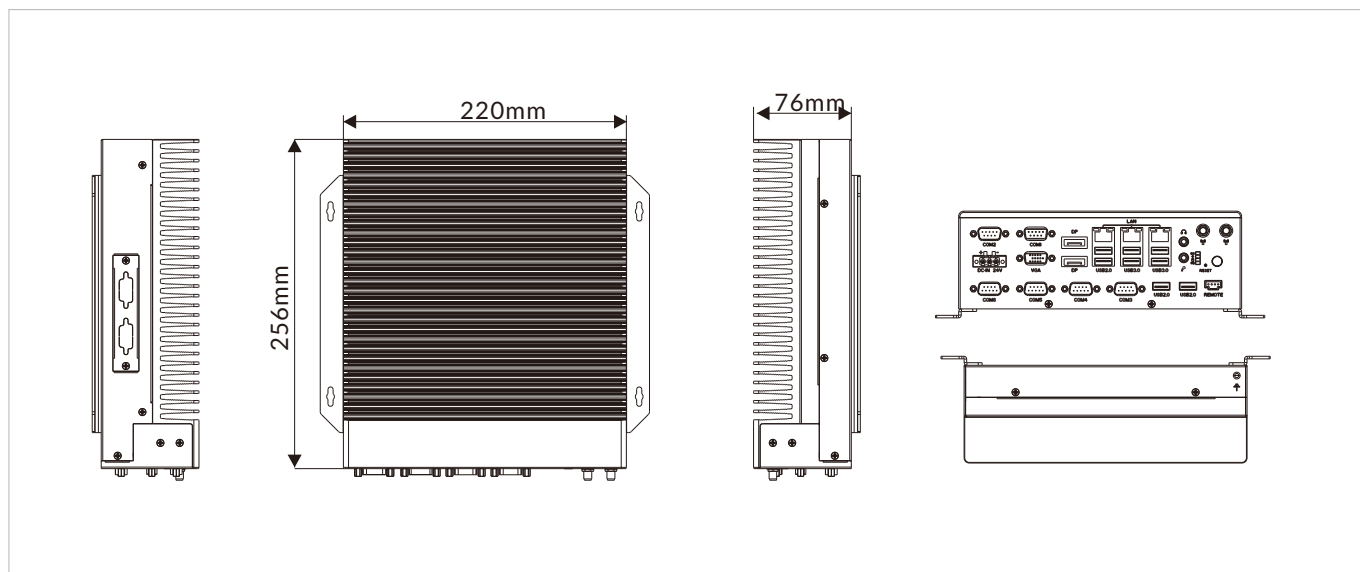
I/O Interfaces



Specifications

System	
CPU	LGA1151 Socket i3/i5/i7/i9
CPU TDP	65W
Chipset	Intel® H110
Memory	2 x DDR4 SO-DIMM up to 32GB
Storage	1 x 2.5" SATA HDD 1 x M.2 2280 SATA
BIOS	AMI UEFI
Watchdog Timer	Software programmable supports 256 levels system reset
I/O Ports	
USB Port	4 x USB 2.0, 4 x USB 3.0
Serial Port	6 x COM (3xRS-232/485)
Ethernet	1 x Intel® I219-LM, 2 x Intel® I210-AT
Display Port	2 x DP, 1 x VGA
SIM Card Slot	1 x SIM
Antenna Hole	2 x SMA-type
Expansion Slot	
Mini-PCle	1 x full length Mini PCle
M.2	1 x M.2 M-Key 2280
RF Communication	
Wi-Fi	Mini-PCle Expansion (optional)
Cellular	Mini-PCle Expansion (optional)
Bluetooth	Mini-PCle Expansion (optional)
GNSS	Mini-PCle Expansion (optional)
Audio	
Audio	Mic in, line out
Power	
Remote Power On/Off	4-Pin remote
DC Input	24VDC
Input Type	1x 3-pin terminal block connector
Power Mode	AT/ATX
Operating System	
Windows	Windows 7/10
Linux	Ubuntu
Mechanical	
Dimensions (WxDxH)	220 x 256 x 76mm (8.66 x 10.08 x 2.99 inches)
Weight (N.W.)	4.3kg (9.48 lb)
Mounting	Wall-mount
Material	Aluminum alloy
Environment	
Operating Temperature	-10 to 50°C (14 to 122°F, with SSD Airflow 0.7m/s)
Storage Temperature	-40 to 80°C (-40 to 176°F)
Relative Humidity	10% to 95% (non-condensing)
Certification	
EMC	CE, FCC Class A

Dimensions



Ordering Information

Part No.	Description
MIC-7100	Industrial Modular Computer with Intel® Core-i processor, 3 x LAN, 6 x COM(3 x RS-232/485), 8 x USB, 2 x DP, 1 x VGA