

8" Android 11 Fleet Management Terminal with Rockchip RK3568 Processor

Overview

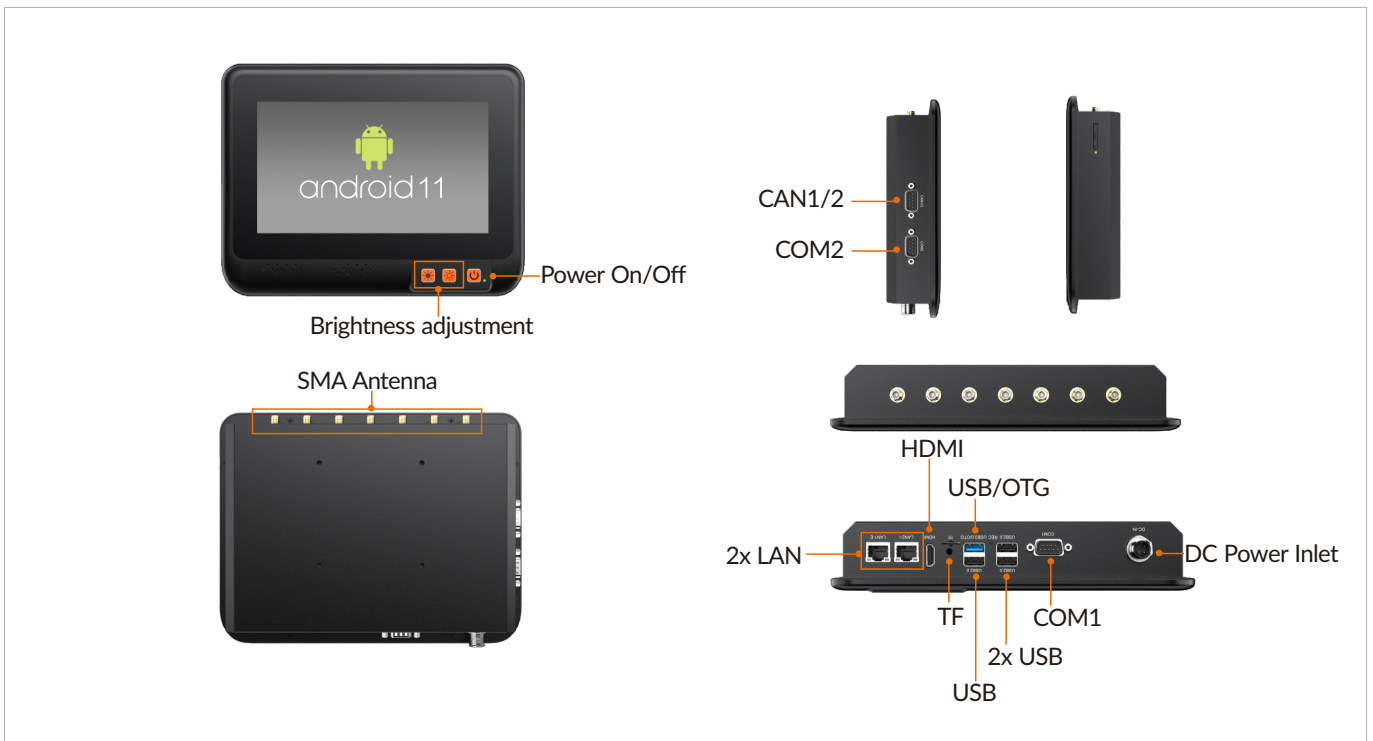
The FMT-615A is a fleet management data terminal that comes with an 8-inch touch screen and the Rockchip RK3568 platform. It features a pre-installed Android 11 operating system, specifically designed for applications in the fleet management industry. The FMT-615A allows for seamless integration of WiFi, LTE, Bluetooth, and GPS modules, enabling real-time data exchange, navigation, and communications. With its 10-point capacitive touchscreen, users can enjoy user-friendly and efficient operations during their daily tasks.

Features

- 8" TFT-LCD with projective capacitive touchscreen
- Rugged metal enclosure and fanless design
- Wide range 8-36VDC power input with ignition control
- Flexible expansion capability for Wi-Fi, Bluetooth, LTE, 5G, GPS, CAN2.0B
- Support Android 11 operating system



I/O Interfaces

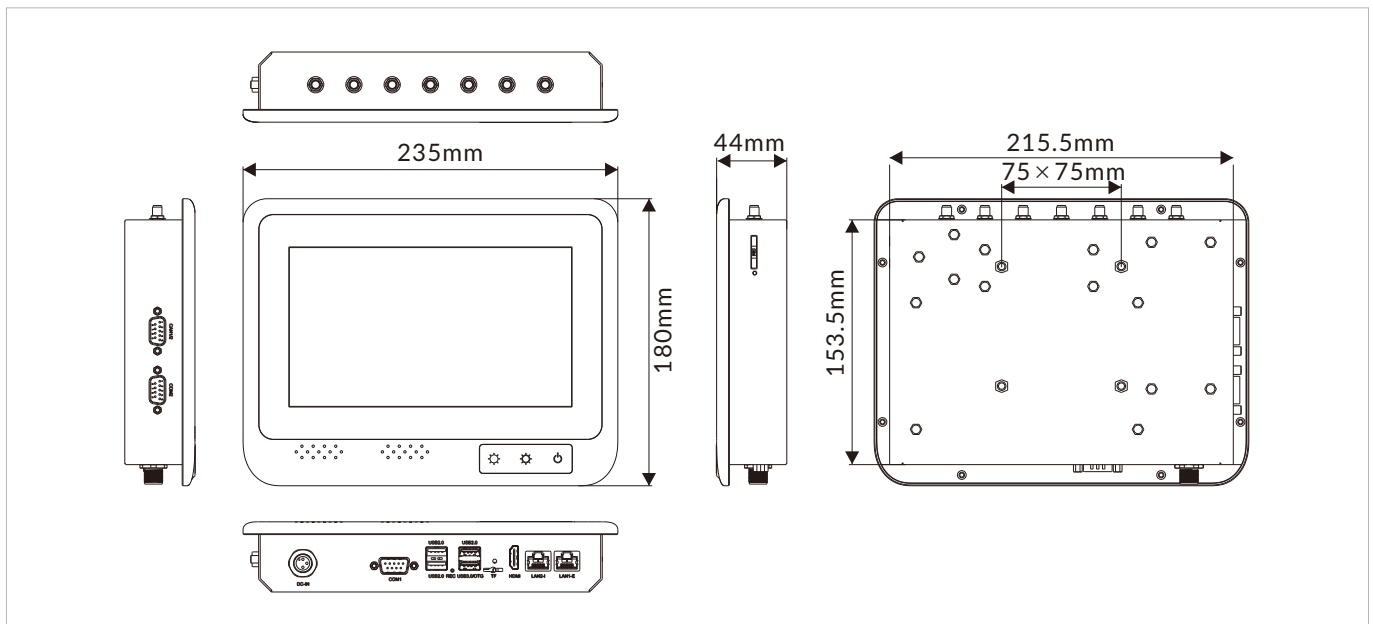


Specifications

Display	
Size	8 inch (16:10)
Touch Type	Projected capacitive multi touch
Display Type	TFT LCD
Resolution	1280 x 720
Luminance	750 nits
Contrast Ratio	1000: 1
View Angles	85 (left), 85 (right), 85 (up), 85 (down)
Color	16.2M
System	
CPU	Rockchip RK3568, quad core (2.0 GHz)
Memory	4GB LPDDR4-3200 on board
Storage	32GB eMMC 5.1
Keypad & Keyboard	
Keypad	Power On/Off Brightness adjustment Power LED indicator
I/O Ports	
USB	3 x USB 2.0 (Type A) 1 x USB 3.0/OTG (Type A)
Serial	2 x RS-232 (COM1/2, DB9)
Ethernet	2 x GbE LAN
Display	1 x HDMI
SIM Card Slot	1 x SIM Socket
TF Card Slot	1 x TF Card Slot (up to 64GB)
CAN bus	2 x CAN2.0B
Antenna	7 x SMA connector for external antenna (Wi-Fi, Bluetooth, WWAN, GPS)
RF Communication	
Wi-Fi	Wi-Fi 5: 802.11a/b/g/n/ac, 2.4G/5G
Cellular	4G, LTE 5G, NSA/SA (optional)
Bluetooth	Bluetooth 4.0/5.3
GNSS	GPS, GLONASS, Galileo, BeiDou (Ublox NEO M8N)
Audio	
Speaker	8Ω/2W, mono speaker
Power	
DC Input	8-36VDC
Power Consumption	12W (Typ.)
Ignition On/off	Optional, Power mode should be changed to AT mode, Power on delay, default 10 seconds Power off delay, default 10 seconds
Power Mode	ATX (default), AT
Operating System	
Android	Android 11
Mechanical	
Dimensions (W x D x H)	235 x 180 x 45 mm (9.25 x 7.08 x 1.77 inches)
Weight (N.W.)	1.8 kg (3.96 lbs)
Mounting Mode	VESA 75
Material	Aluminum+SGCC

Environment	
Operating Temperature	-20 to 60°C (-4 to 140°F)
Storage Temperature	-40 to 70°C (-40 to 158°F)
Relative Humidity	95% @ 70°C (158°F), non-condensing
Shock	MIL-STD-810G Method 516.6 Procedure I
Vibration	MIL-STD-810G Method 514.6 Procedure I
IP Rating	IP54 compliant
Certification	
EMC	CE, FCC

Dimensions



Optional Accessories

Part No.	Description
PWR836D512-M12	8 to 36VDC Input, 5V/12VDC Output, M12 connector

Ordering Information

Part No.	Description
FMT-615A-C5C5C-A001	FMT-615A with Rockchip RK3568 processor, 4GB RAM, 32GB SSD, WiFi5, BT, 4G, GPS, Android 11, SMA(1)-WiFi/Bluetooth, SMA(2)-4G_M + SMA(3)-GPS
FMT-615A-C595D-A001	FMT-615A with Rockchip RK3568 processor, 4GB RAM, 32GB SSD, WiFi5, BT, 5G, GPS, Android 11, SMA(1)-WiFi/Bluetooth, SMA(2)-5G1, SMA(3)-5G2, SMA(4)-5G3, SMA(5)-5G4, SMA(6)-GPS