

DPC-7150



15", Resistive / Capacitive Full Plane Touch Screen, Intel® Whiskey Lake Core i3/i5/i7 Processor.



Features

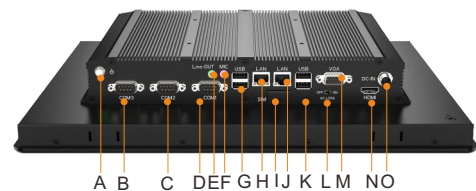
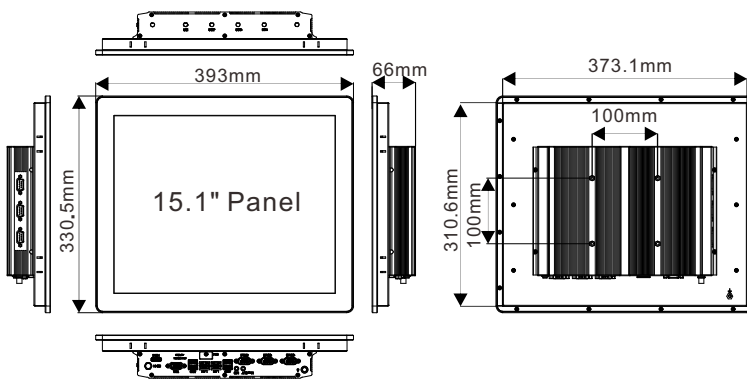
- 15" LED backlight LCD, capacitive touch screen, resistive touch screen
- Fanless design, integral aluminum alloy profile heat dissipation.
- Intel® Whiskey Lake Core i3/i5/i7 processor
- 3 COM, 4 USB, 2 GbE, HD Audio, VGA, HDMI
- Support WiFi 6 4G 5G communication
- Panel and VESA mounting



Specifications

System		Expansion	
CPU	Intel® Whiskey Lake-U i3-8145U (2.3GHz) Dual core four thread processor/ i5-8265U (1.6GHz)/ i7-8565U (1.8GHz) quad core eight thread processor	Mini-PCIe	1 x Full-size Mini-PCIe for WIFI
Memory	2 * SO-DIMM DDR4-2400 (UP to 32GB)	M.2	M.2 3042 for 4G ; M.2 3052 for 5G
Storage	1 x 2.5" Driver Bay for SATA HDD/SSD 1 x Full-size Mini-PCIe for mSATA SSD	Audio	
Operating System	Windows 8.1/10	Audio	1 x Line-out 1 x Line-in
Display		Speaker	2Ω5W speaker(Optional)
Size	15-inch	Power Specification	
Resolution	1024 × 768	Power Input	9~36V
Viewing Angle	89/89/89/89	Power Adapter	AC-DC, 12V@7A, 84W
Brightness	350 cd/m²	Power Consumption	25W(Typ.)
Backlight	LED	Environment	
LED Lifetime	50000 hrs	Operating Temperature	-10~50
VGA	Up to 1920 × 1200@60Hz	Storage Temperature	-20~60
HDMI	Up to 4096 × 2304@24Hz	Relative Humidity	10%-90%, @ 40°C (non-condensing)
Multi-Display	Dual display (LVDS + VGA/HDMI)	Vibration	5~500Hz, 0.026 G²/Hz, 2.16 Grms, X, Y, Z, 1 hour per axis
Touch Screen		Certifications	CE, FCC
Type	5-Wire Analog Resistive Touch Projected Capacitive Touch	Physical Characteristics	
Transmittance	80%/87%	Housing	Aluminum alloy panel, all-metal structure
Control Interface	USB	Mounting Mode	Panel-mount, VESA-mount
Surface Hardness	≥3H/≥6H	Dimension (W x L x H)	393x330x66 mm
I/O Connectors		Weight	4.6Kg
Serial Port	3 x RS-232 (COM2/3 support RS-232/422/485)	Packing List	
USB Port	2 x USB3.0 2 x USB2.0		1 x DPC-7150
Ethernet	2 x GbE LAN		1 x AC-DC Power Adapter
Display Interface	1 x HDMI、1 x VGA		1 x Certificate
Others	1 x DC-IN (3-Pin M8)/1 x Remote Switch Connector 1 x ATX Power Switch/1 x AC LOSS/1 x SIM slot (4G 5G)		1 x Warranty Card
			8 x Panel Mounting Buckles

Dimension



- | | |
|--------------|-------------|
| A: Remote SW | I: SIM |
| B: COM3 | J: LAN |
| C: COM2 | K: USB |
| D: COM1 | L: AC-Loss |
| E: Line-out | M: VGA |
| F: MIC | N: HDMI |
| G: USB | O: DC-Input |
| H: LAN | |