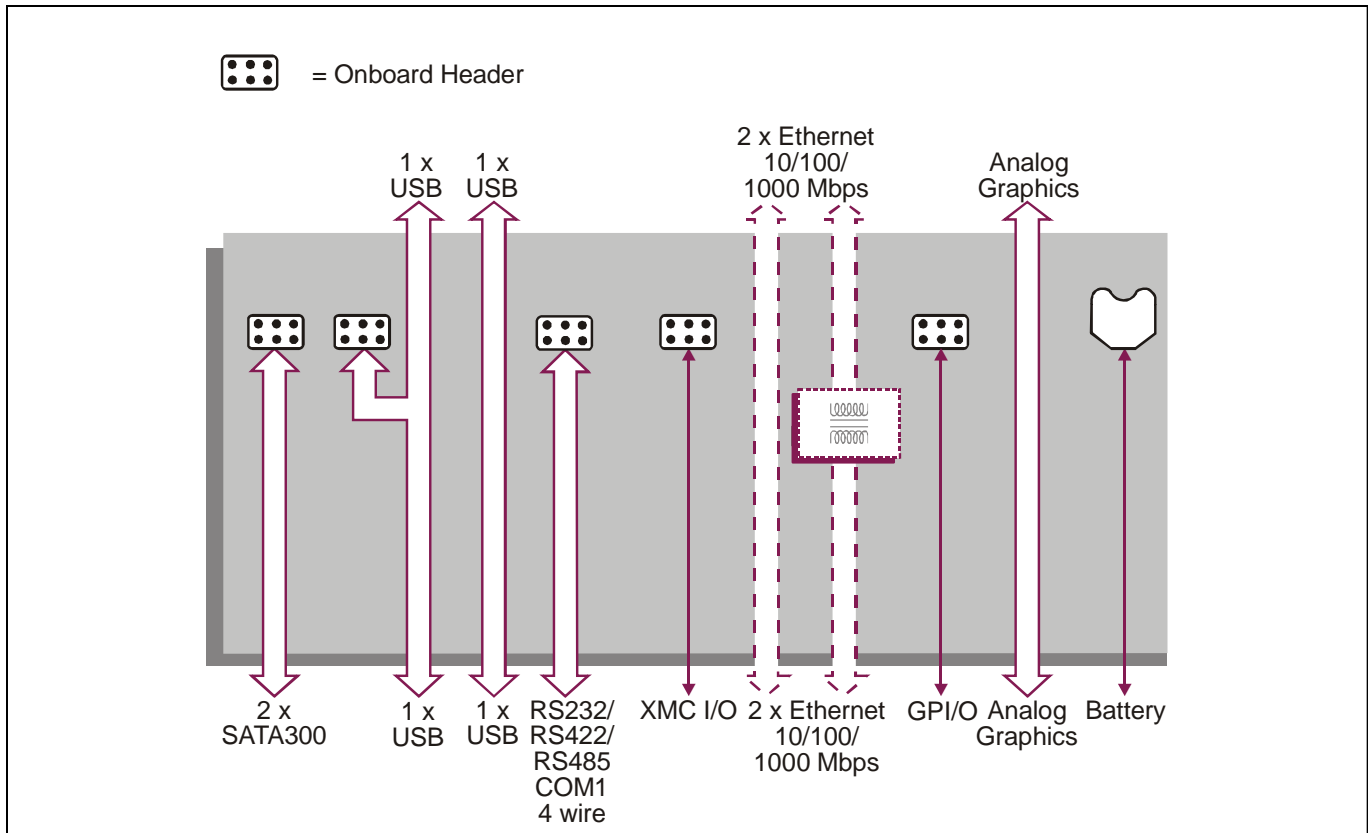


Rear Transition Module

Key Features

The AD TR1/x04 Rear Transition Module (RTM) is designed to complement a range of Concurrent Technologies 3U VPX™ processor boards.



Electrical Specification

- +5.0V@0.0A; +3.3V@0.26A

Environmental Specification

- operating temperatures:
 - 0°C to +55°C (N-Series)
 - -25°C to +70°C (E-Series)
- -40°C to +85°C (non-operating)
- 5% to 95% Relative Humidity, non-condensing

Mechanical Specification

- 3U VPX form-factor (VITA 46.0)
- 3.9 inches x 6.3 inches (100mm x 160mm)
- slot width 1.0 inch air-cooled:
 - (IEEE 1101.10 as per VITA 46.0)
- connectors to VITA 46.0 for P0, P1 and P2
- operating mechanical:
 - shock - VITA 47 Class OS1, 20g
 - random vibration - 0.002g²/Hz

Further Information

- For further information refer to the board's Technical Reference Manual



Parhelia B.V.
www.parheliabv.com
☎ +31(0)10 741 00 28