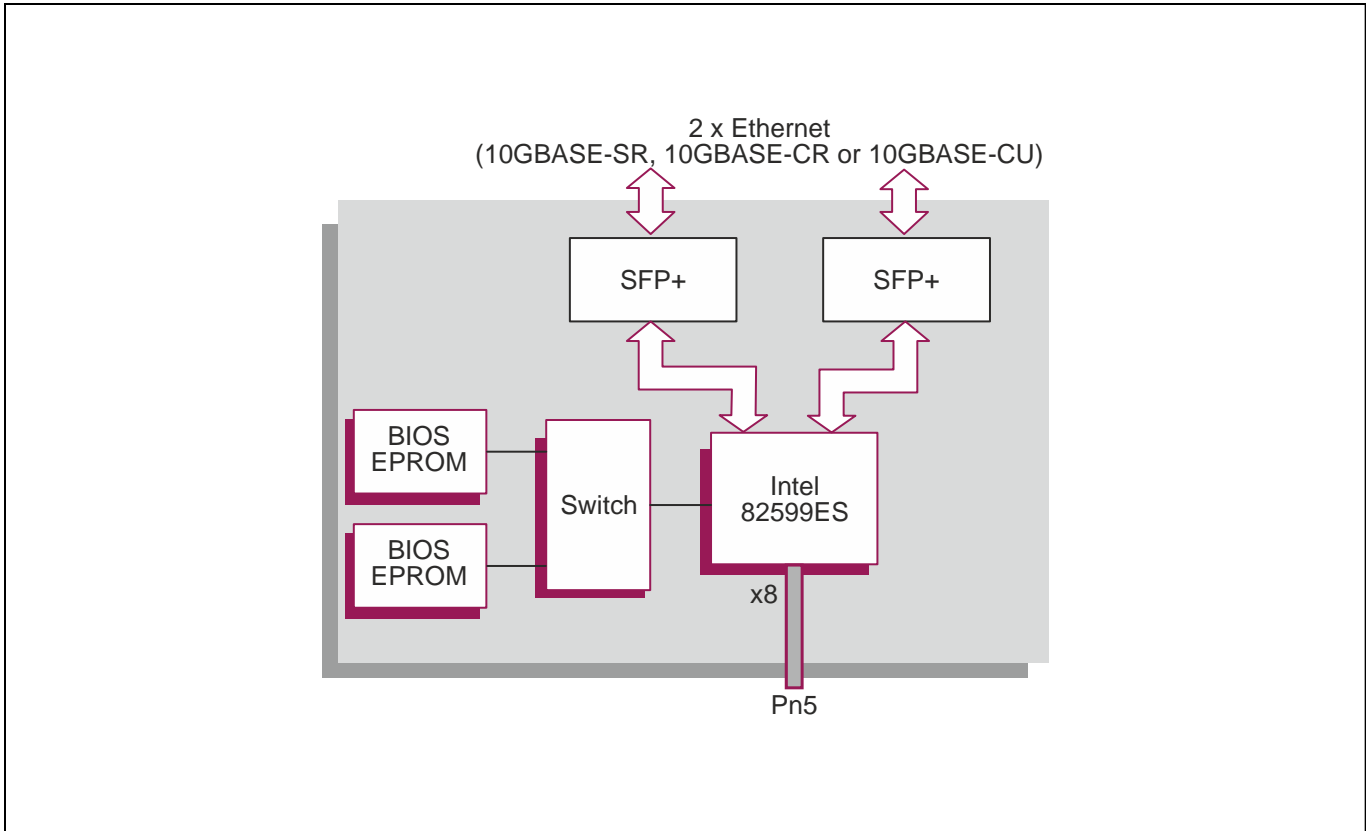


Dual Port 10 Gigabit Ethernet XMC Adaptor

Key Features

XM 520/032 is a high performance, dual port 10 Gigabit Ethernet adaptor with SFP+ modules offering optical or copper front panel connections. It is suitable for use on board with an XMC expansion slot and front I/O capability.

- 2 x 10 Gigabit Ethernet interfaces
- Suitable for use on boards with an XMC expansion slot
- For use in air-cooled environments
- Support for Linux® and Windows®



Dual 10 Gigabit Ethernet Interfaces

- dual port 10 Gigabit Ethernet interfaces
- implemented using an Intel® 82599ES 10 Gigabit Ethernet controller:
 - supports jumbo frames
 - 64-bit address support
 - 128 transmit queues
 - variable depth Transmit and Receive FIFO buffers
 - programmable host memory receive queue buffer cache sizes
 - Transmit and receive hardware for Descriptor Ring management
- physical interfaces (PHY) implemented by the Intel 82599ES Ethernet Controller:
 - front panel mounted SFP+ interface cages
 - SFI 10Gb/s Tx/Rx serial data differential pair to each SFP+ interface
 - supports IEEE 802.3ae, 10GBASE-SR, over LC multimode fibre
 - supports IEEE 802.3ak, 10GBASE-CR or 10GBASE-CU, over copper (twinax)
- typical connector options for SFP+ modules:
 - Ethernet via LC Duplex optical connector to 50/120mm multi-mode fibre transceivers
 - Ethernet via twin-axial copper transceivers

XMC Interface

- complies with PCI Express® Protocol Specification 2.0 including:
 - x8 PCI Express® interface
 - trains down to x4, x2 or x1

BIOS EPROM

- dual serial 1 Mbit (128K x 8) serial Flash devices
- switch selectable
- PXE BIOS Firmware
- in-circuit programmable

Software

- support for Linux® and Windows®

Electrical Specification

- +12V supply cannot be used
- +5V only @ 1.2A (maximum with dual 10 Gigabit operating)
- voltage ±5%
- 3.3V and -12V not utilized

Environmental Specification

- compatible with XMC host boards operating at:
 - 0°C to +55°C (N-Series)
 - -25°C to +70°C (E-Series)
- -40°C to +85°C (non-operating)
- 5% to 95% Relative Humidity, non-condensing

Mechanical Specification

- single size CMC (Common Mezzanine Card) 74mm x 149mm
- 10mm height stack module



Parhelia B.V.
www.parheliabv.com
☎ +31(0)10 741 00 28