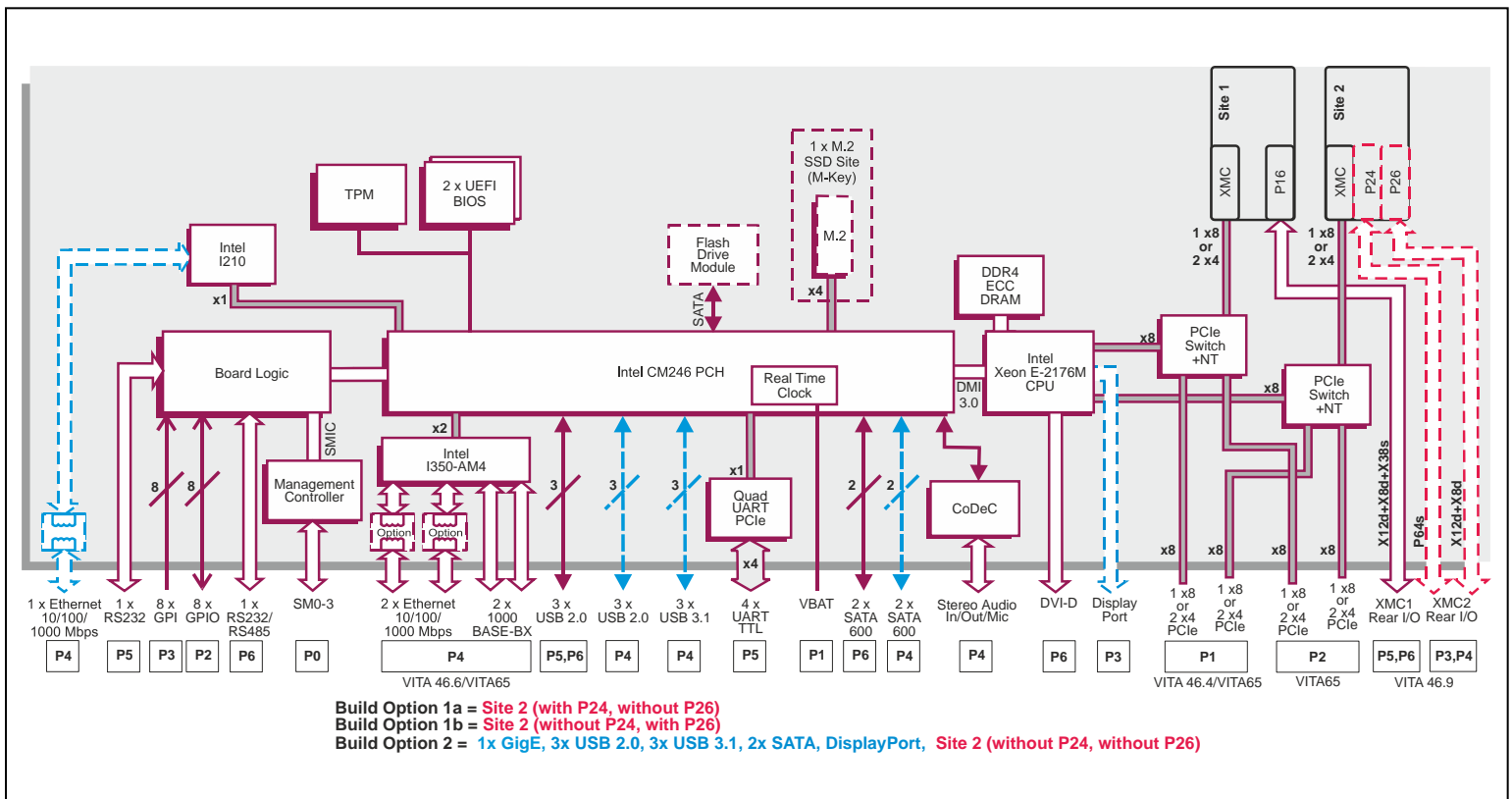
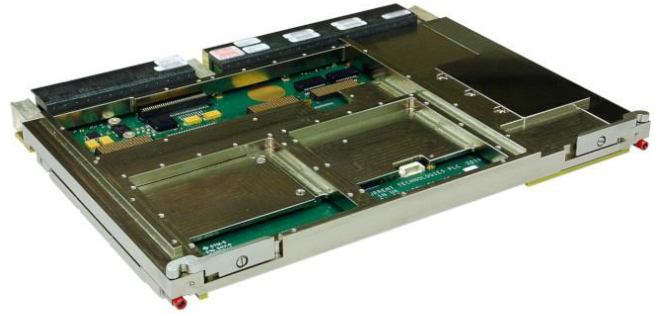


Rugged Conduction-Cooled 6U VPX-REDI Processor Board

Key Features

VR E7x/msd-RCx is a rugged 6U VPX™ board based on a 6-core Intel® Xeon® processor E-2176M. It includes a wide range of I/O, display, storage and expansion options for command and control applications in the defense, industrial, scientific and aerospace markets.

- High performance 6-core processor
- Up to 32 Gbytes DRAM with built in error correction for reliable operation
- Dual XMC sites for local expansion
- Direct attached storage options:
 - on-board Flash Drive Module
 - M.2 site for high speed storage
- Optional Built-In-Test and enhanced security packages
- Air-cooled options are also available



VPX-REDI Processor Board

- 6U VPX-REDI conduction-cooled™ computing board utilizing an Intel® Xeon® processor based on Coffee Lake-H
- dual XMC sites
- optional Rear Transition Module (RTM):
 - for bench development only
- compatible with OpenVPX™ profiles:
 - SLT6-PAY-4F1Q2U2T-10.2.1
 - MOD6-PAY-4F1Q2U2T-12.2.1-4
- for non-rugged VPX versions:
 - commercial air-cooled
 - see VR E7x/msd datasheet

Central Processor

- 6-core Intel® Xeon® processor E-2176M:
 - 12 Mbytes Smart Cache, 2.7 GHz (45W)
 - Intel® UHD Graphics 630
- utilizes the Intel® CM246 Platform Controller Hub

DRAM

- 16 or 32 Gbytes soldered DDR4 ECC DRAM:
 - single bit error correction
 - dual channel architecture
- accessible from processor and VPX fabric

Dual XMC Sites

- both XMC sites commonly support:
 - 1 x8 or 2 x4 PCI Express® (PCIe®)
 - PCIe Gen 1, Gen 2 and Gen 3
 - VITA 46.9 compliant I/O pin-out
- XMC connector type (build option) determines the maximum PCIe operational speed:
 - up to Gen 2, VITA 42 XMC (color black)
 - up to Gen 3, VITA 61 XMC 2.0 (color white)
- XMC VPWR +5V or +12V (build option)
- build option 1a or 1b:
 - option 1a - site 2 rear I/O, P24 = P64s
 - option 1b - site 2 rear I/O, P26 = X12d+X8d
- build option 2:
 - site 2 without rear I/O, without P26 and P24
- option 2 supports extra I/O, see table below
- all options - site 1 rear I/O, P16 = X12d+X8d+X38s

Ethernet Interfaces

- VPX control plane Ethernet interfaces
- support Wake-On-LAN
- support Precision Time Protocol (IEEE 1588)
- refer to table below for additional Ethernet interface

Serial Interfaces

- refer to table below for serial interfaces
- 1 x RS232/422/485 (COM1):
 - supporting transmit control in RS485 mode
- RS232 modem control signals are supported
- 16550 compatible UARTs

Graphics Interfaces

- up to two independent graphics interfaces
- refer to table below for graphics interfaces
- DisplayPort™ supports up to 3840 x 2160 @ 60Hz:
 - resolution is dependent on the device driver
- DVI-D interface supports up to 1920 x 1200 @ 60Hz
- support for Microsoft® DirectX 12
- support for OpenGL 4.4: Windows® and Linux®
- support for OpenCL 2.0

Mass Storage Interfaces

- 1 x M.2 SSD site on-board supporting:
 - Type 2230 or 2242 device
 - x4 PCIe interface (M-key)
 - NVM Express® (NVMe™) logical device interface
 - NVMe 1.3 compatible
- optional on-board SATA Flash Drive Module
- refer to table below for rear I/O SATA600 interfaces:
 - RAID 0, 1, 5 and 10 modes

Stereo Audio

- Intel® High Definition Analog Audio interface (on-board CoDeC) supporting stereo line input, line output and microphone

Other Peripheral Devices

- long duration timer and watchdog timer
- PC Real Time Clock
- CPU temperature, board temperature and voltage sensors accessed via System Management interface
- refer to table below for range of I/O interfaces

VPX Data/Expansion Plane PCIe Interface

- configurable PCIe fabric interfaces (VITA 46.4, VITA 65), each fabric supporting:
 - 2 x8 or 4 x4 PCIe (Gen 1, Gen 2, and Gen 3)
 - compatible with OpenVPX™ module profiles
- supports up to two non-transparent ports with DMA for multi-processing applications
- PCIe ports can be configured by the VPX Switch Configuration Tool, see separate datasheet

VPX Control Plane Ethernet Interfaces

- 2 x 10/100/1000 Mbps Ethernet interfaces:
 - with or without magnetics (build option)
- 2 x 1000BASE-BX interfaces (VITA 46.6, VITA 65)

Board Security Packages

- Trusted Platform Module (TPM 2.0)
- option for proprietary board-level security features

Firmware Support

- UEFI 2.7 boot firmware (BIOS):
 - implements Secure Boot
- implements Intel® Boot Guard
- optional Fast Boot solution using the Intel® Firmware Support Package (FSP)
- LAN boot firmware included

Software Support

- support for Linux®, Windows® and VxWorks®
- implements Microsoft® Secure Boot

Optional Built-In Test (BIT) Support

- Power-on BIT, Initiated BIT, Continuous BIT

Non-Volatile Memory

- dual 16 Mbytes of BIOS SPI Flash EPROM
- 8 Kbytes User EEPROM

Safety

- PCB (PWB) manufactured with flammability rating of UL94V-0

System Management

- System Management interface:
 - implements SM0-1 and SM2-3 hardware
 - supports IPMI 2.0
 - support for IPMI Over LAN
 - support for Serial Over LAN
- on-board System Management Controller

Electrical Specification

- typical current figure for processor (45W) with 32 Gbytes DRAM:
 - VS3 +5V @ 7.3A, voltage +5%/-2.5%
- 3V3_AUX @ 600mA maximum, voltage +5%/-2%

Environmental Specification

- operating temperature (at card edge):
 - VITA 47 Class CC4, -40°C to +85°C
 - conduction-cooled (VITA 48.2)
- non-operating temperature:
 - VITA 47 Class C4, -55°C to +105°C
- operating altitude:
 - -1,000 to 50,000 feet (-305 to 15,240 meters)
- 5% to 95% Relative Humidity, non-condensing

Mechanical Specification

- 6U VPX form-factor (VITA 46.0)
 - 9.2 inches x 6.3 inches (233mm x 160mm)
- slot widths (VITA 48.0):
 - 0.8 inches VPX-REDI Type 2, RCT-Series
 - 0.85 inches VPX-REDI Type 1, RCS-Series, Type 1 Two Level Maintenance (VITA 48.2)
- connectors to VITA 46.0 for P0 through P6
- operating mechanical:
 - shock - VITA 47 Class OS2, 40g
 - random vibration - VITA 47 Class V3, 0.1g²/Hz

Legacy Computing Board Compatibility

- upgrade path for the popular VR E1x/msd-RCx computing board

Build Option	Rear I/O												
	XMC1 P16	XMC2 P2n	Display Port	USB 3.1 Gen1	USB 2.0	Serial COM2	Serial COM1	Serial TTL	One GigE	SATA 600	DVI-D	Stereo Audio	GPI/GPIO
1a	P16	P24	-	-	3	1	1	4	-	2	1	1	8/8
1b	P16	P26	-	-	3	1	1	4	-	2	1	1	8/8
2	P16	P2n NF	1	3	6	1	1	4	1	4	1	1	8/8
Notes	NF = Not Fitted												